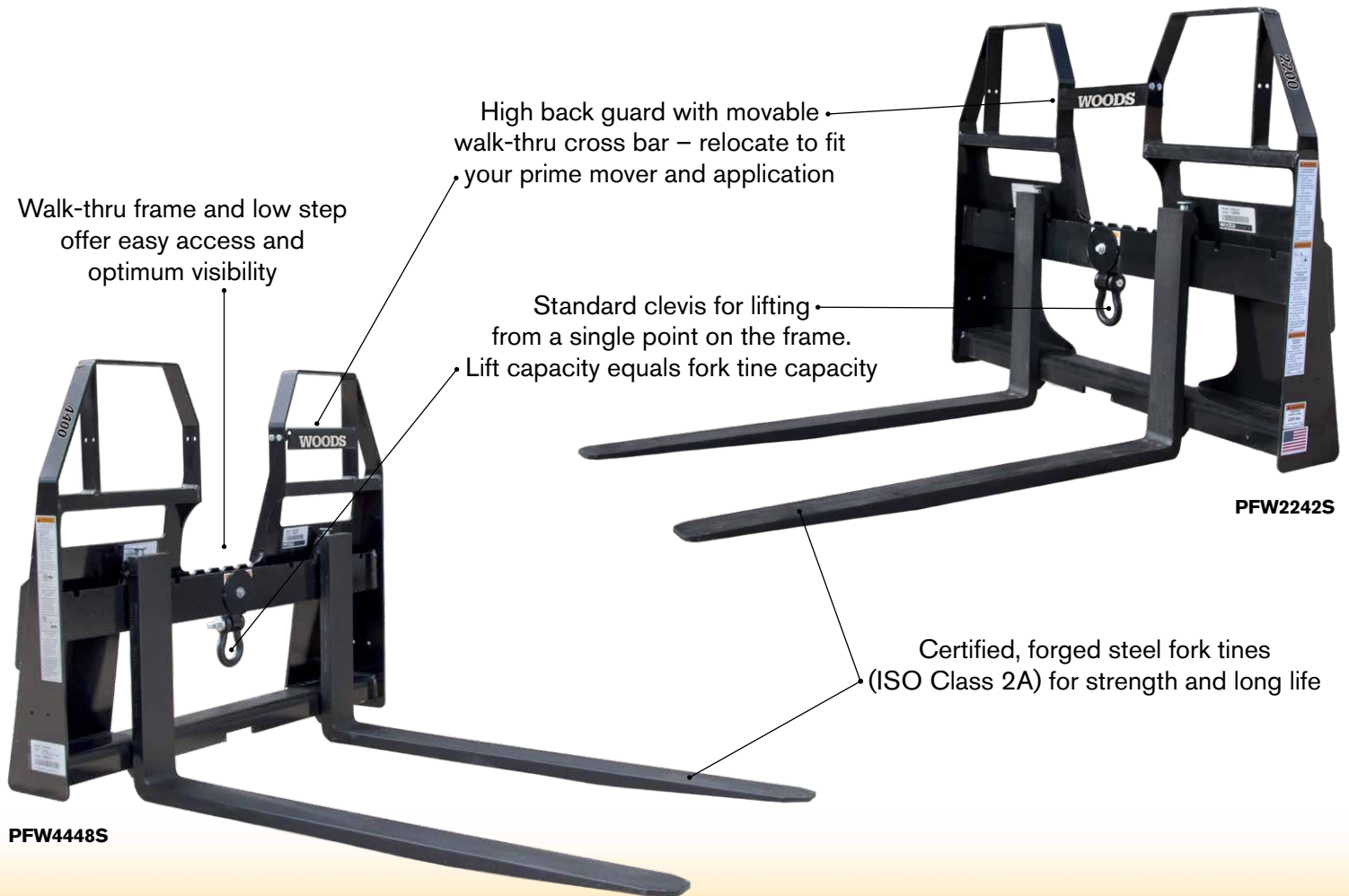


# WOODS WALK-THRU PALLET FORKS

Attaches to loader or skid steer

Woods' versatile, Pallet Forks are designed with a full-height frame and walk-thru capability. Ideal for lifting and moving material with your loader or skid steer. Choose from 2,200, 4,400, or 6,600 lb. fork capacity.



Robotically welded for consistent high quality. Compatible with Skid Steer (ISO 24410), John Deere®, and ISO 23206 Quick Attach Systems. Learn more about Woods Loader and Skid Steer attachments at [woodsequipment.com](http://woodsequipment.com).

# Woods Walk-thru Pallet Forks

Specifications	PFW2242S	PFW2242JD	PFW4442S
Frame Type	Walk-thru with full frame option		
Coupler System Compatibility	Skid steer	John Deere®	Skid steer
Operating Weight (lbs)	275	255	360
Fork Capacity at 19.7" from Tine Face (lbs)	2,200	2,200	4,400
Fork Tine Dimensions (L x W x H)	42 inches x 3.2 inches x 1.2 inches		48 inches x 3.9 inches x 1.4 inches
Fork Tine Spread Range (in)	12-45 outside to outside		
Fork Tine Type	Double hook lock down (ISO Class 2A)		
Clevis	Standard		

Specifications	PF4448S	PFW4448S	PFW4448JD	PFW4448E	PFW6648S	PFW6648E
Frame Type	Full frame	Walk-thru with full frame option				
Coupler System Compatibility	Skid steer	Skid steer	John Deere®	ISO 23206	Skid steer	ISO 23206
Product Weight (lbs)	390	380	380	370	470	455
Fork Capacity at 19.7" from Tine Face (lbs)	4,400	4,400	4,400	4,400	6,600	6,600
Fork Tine Dimensions (L x W x H)	48 inches x 3.9 inches x 1.4 inches				48 inches x 3.9 inches x 1.8 inches	
Fork Tine Spread Range (in)	12-45 outside to outside					
Fork Tine Type	Double hook lock down (ISO Class 2A)					
Clevis	Standard					



## Got ideas?

Join our Power Team customer panel at [woodsequipment.com/contact/power-team](http://woodsequipment.com/contact/power-team), or scan the QR code to the right.

**You have the power...**



**WOODS®** | Woods Equipment Company  
2606 South Illinois Route 2, Oregon, Illinois 61061 tel 800-319-6637 [woodsequipment.com](http://woodsequipment.com)

**WOODS**

**GET AFTER IT**

Warning! Some images may show safety shields removed to provide a better view. Equipment should never be operated with any safety shield removed. Some machines in this brochure may be shown with optional equipment. Always operate machines in accordance with supplied operator's manuals.  
©2022 Woods Equipment Company. All rights reserved. WOODS and Woods logo are trademarks of Woods Equipment Company. All other trademarks, trade names, or service marks not owned by Woods Equipment Company that appear in this brochure are the property of their respective companies or mark holders. Specifications subject to change without notice.