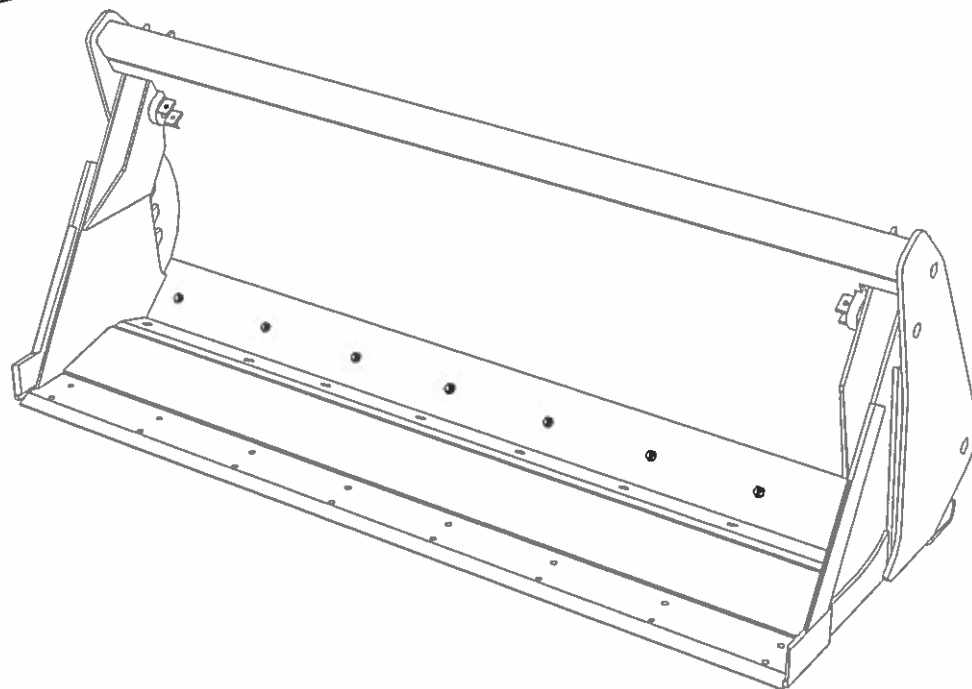


GANNON

MULTI-PURPOSE BUCKET

BJ3719M86C

BJ3719M92C



OPERATORS MANUAL

**FOR JD210LE, JD310E, JD310SE & JD410E
LOADER BACKHOES**

WOODS

TO THE DEALER:

The Industrial Multi-Purpose Bucket and proper installation to the Loader Backhoe is the responsibility of the WOODS dealer. Read manual instructions and safety rules. Make sure all items on the Pre-Delivery and Delivery Check Lists are completed before releasing equipment to the owner.

TO THE OWNER:

Read this manual before operating your WOODS Industrial Multi-Purpose Bucket. The information presented will prepare you to do a better and safer job. Keep this manual handy for ready reference. Require all operators to read this manual carefully and become acquainted with all the adjustment and operating procedures before attempting to operate. Replacement manuals can be obtained from your dealer or by calling 1-800-319-6637, in the USA or Canada only.

The Industrial Multi-Purpose Bucket you have purchased has been carefully engineered and manufactured to provide dependable and satisfactory use. Like all mechanical products, it will require cleaning and upkeep. Lubricate the unit as specified. Observe all safety information in this manual and safety decals on the Industrial Multi-Purpose Bucket and Valve Kit and tractor.

For service, your authorized WOODS dealer has trained mechanics, genuine WOODS service parts, and the necessary tools and equipment to handle all your needs.

Use only genuine WOODS service parts. Substitute parts will void the warranty and may not meet standards required for safe and satisfactory operation. Record the serial number of your Industrial Multi-Purpose Bucket in the space provided:

Model: BJ3719M86C & BJ3719M92C

Serial Number: (see page 6 for location) _____

Provide this information to your dealer to obtain correct repair parts.

Throughout this manual, the term **IMPORTANT** is used to indicate that failure to observe can cause damage to equipment. The terms **CAUTION**, **WARNING** and **DANGER** are used in conjunction with the Safety-Alert Symbol, (a triangle with an exclamation mark), to indicate the degree of hazard for items of personal safety.



The Safety-Alert Symbol means **ATTENTION! BECOME ALERT! YOUR SAFETY IS INVOLVED!**



CAUTION

Denotes a reminder of safety practices or directs attention to unsafe practices which could result in personal injury if proper precautions are not taken.



WARNING

Denotes a hazard exists which can result in injury or death if proper precautions are not taken.



DANGER

Denotes an extreme intrinsic hazard exists which would result in high probability of death or irreparable injury if proper precautions are not taken.

TABLE OF CONTENTS

INTRODUCTION	Inside Front Cover
GENERAL INFORMATION	2
SPECIFICATIONS	2
SAFETY RULES	3
SAFETY DECALS	6
BOLT SIZE CHART	7
BOLT TORQUE CHART	8
OPERATION	9
OWNER SERVICE	13
ASSEMBLY	15
PARTS LISTS	16 - 17
INDEX	18
WARRANTY	Inside Back Cover

GENERAL INFORMATION

The purpose of this manual is to assist you in operating and maintaining your multi-purpose bucket. Read it carefully. It furnishes information and instructions that will help you achieve years of dependable performance. These instructions have been compiled from extensive field experience and engineering data. Some information may be general in nature due to unknown and varying operating conditions. However, through experience and these instructions, you should be able to develop procedures suitable to your particular situation.

The illustrations and data used in this manual were current at the time of printing, but due to possible inline production changes, your machine may vary slightly in detail. We reserve the right to redesign and

change the machines as may be necessary without notification.

WARNING

- **Some manual illustrations may show units with safety shields or guards removed to provide better views and/or needed explanations. Units are never to be modified or operated with safety shielding or guards removed.**

Throughout this manual, references are made to right and left direction. These are determined by sitting in power unit operator's seat and facing the direction of forward travel.

SPECIFICATIONS

	<u>BJ3719M86</u>	<u>BJ3719M92</u>
Width	86 inches	92 inches
Heaped Capacity	1-1/4 cu. yd.	1-1/4 cu. yd.
Weight	1797 lbs.	1903 lbs.
Cutting Edge	optional	optional
Bolt-On Teeth	optional	optional

SAFETY RULES



ATTENTION! BECOME ALERT! YOUR SAFETY IS INVOLVED!



Safety is a primary concern in the design and manufacture of our products. Unfortunately, our efforts to provide safe equipment can be wiped out by a single careless act of an operator.

In addition to the design and configuration of equipment, hazard control and accident prevention are dependent upon the awareness, concern, prudence and proper training of personnel involved in the operation, transport, maintenance and storage of equipment.

It has been said *"The best safety device is an informed, careful operator."* We ask you to be that kind of an operator.

The designed and tested safety of this equipment depends on it being operated within the limitations as explained in this manual.

INSTALLATION

■ Only use this product for mounting on JD210LE, JD310E, JD310SE and JD410E Loader Backhoes. Any other use or modification of this mounting kit may result in serious injury or death.

■ After connecting hoses, check that all control lever positions function as instructed in the Operator's Manual. Do not operate until control lever and equipment movements are correct.

TRAINING

■ Safety instructions are important! Read all attachment and power unit manuals; follow all safety rules and safety decal information. (Replacement manuals are available from dealer or, in the United States and Canada, call 1-800-319-6637.) Failure to follow instructions or safety rules can result in serious injury or death.

■ If you do not understand any part of this manual and need assistance, see your dealer.

■ Know your controls and how to stop engine and attachment quickly in an emergency.

■ Operators must be instructed in and be capable of the safe operation of the equipment, its attachments and all controls. Do not allow anyone to operate this equipment without proper instructions.

■ Keep hands and body away from pressurized lines. Use paper or cardboard, not body parts to check for leaks. Wear safety

goggles. Hydraulic fluid under pressure can easily penetrate skin and will cause serious injury or death.

■ Make sure that all operating and service personnel know that in the event hydraulic fluid penetrates skin, it must be surgically removed as soon as possible by a doctor familiar with this form of injury, or gangrene, serious injury or death will result. **CONTACT A PHYSICIAN IMMEDIATELY IF FLUID ENTERS SKIN OR EYES. DO NOT DELAY.**

■ Do not allow children or untrained persons to operate equipment.

PREPARATION

■ Never use attachment to carry loads that exceed power unit rated operating capacity or other specifications. Check your power unit manual or see your dealer for rated operating capacity. Exceeding this capacity can cause machine to tip, roll over, or present other hazards that can cause injury or death.

■ Check that all hardware is tight and properly installed. Always tighten to torque chart specifications.

■ Air in hydraulic systems can cause erratic operation and allows loads or equipment components to drop unexpectedly. Before operating or allowing anyone to approach the equipment, purge any air in the system by operating all hydraulic functions several times after connecting equipment, connecting hoses, or doing any hydraulic maintenance.

■ After connecting hoses, check that all control lever positions function as instructed in the Operator's Manual. Do not operate until control lever and equipment movements are correct.

■ Make sure all hydraulic hoses, fittings and valves are in good condition and not leaking before starting power unit or using equipment. Check and route hoses carefully to prevent damage. Hoses must not be twisted, bent sharply, kinked, frayed, pinched, or come into contact with any moving parts. Operate moveable components through full operational range to check clearances. Replace any damaged hoses immediately.

(Safety Rules continued on next page)

SAFETY RULES



ATTENTION! BECOME ALERT! YOUR SAFETY IS INVOLVED!



(Safety Rules continued from previous page)

- Always wear relatively tight and belted clothing to avoid entanglement in moving parts. Wear sturdy, rough-soled work shoes and protective equipment for eyes, hair, hands, hearing and head.
- Ensure implement is properly attached, adjusted and in good operating condition.
- Power unit must be equipped with ROPS or ROPS CAB and seat belt. Keep seat belt securely fastened. Falling off power unit can result in death from being run over or crushed. Keep foldable ROPS systems in "locked up" position at all times.
- Ensure all safety decals are installed. Replace if damaged. (See Safety Decals section for location.)
- Ensure shields and guards are properly installed and in good condition. Replace if damaged.

OPERATIONAL SAFETY

- Do not allow other people in the area when operating, attaching, removing, assembling or servicing equipment.
- Only raise load to dump.
 - Only raise to required height on firm, level surface.
 - Never dump under or around overhead power lines.
 - Keep attachment positioned forward so accidental spillage falls away from operator cab.
- Material carried by grapple use of bucket clam section has a greater possibility of becoming dislodged and falling. Always carry material low to the ground. Never lift or position bucket so that dislodged material can fall into the operator zone.
- Consult local utilities before working. Know location of and avoid contacting all underground cables, pipelines, overhead wires and other hazards in working area.
- Contact with high voltage, overhead power lines, underground cables, gas lines, and etc. can cause serious injury or death from electrocution, explosion, or fire.
- Keep bystanders away from equipment while it is in operation.
- Never go underneath equipment lowered to the ground or raised. Never place any part of the body underneath equip-

ment or between moveable parts even when the engine has been turned off. Hydraulic system leak down, hydraulic system failures, mechanical failures or movement of control levers can cause equipment to drop or rotate unexpectedly and cause severe injury or death.

- Service work does not require going underneath.

- Read operator's manual for service instructions or have done by a qualified dealer.

- Do not operate equipment while under the influence of alcohol or drugs.

- Operate only in daylight or good artificial light.

- Keep hands, feet, hair and clothing away from equipment while engine is running. Stay clear of all moving parts.

- Always comply with all state and local lighting and marking requirements.

- Do not allow riders. Do not lift or carry anybody on the loader or in the bucket or attachments.

- Power unit must be equipped with ROPS or ROPS CAB and seat belt. Keep seat belt securely fastened. Falling off power unit can result in death from being run over or crushed. Keep foldable ROPS systems in "locked up" position at all times.

- Look down and to the rear and make sure area is clear before operating in reverse.

- Use extreme care when working close to fences, ditches, other obstructions, or on hillsides.

- Do not operate on steep slopes.

- Do not stop, start or change directions suddenly on slopes.

- Use extreme care and reduce ground speed on slopes and rough terrain.

- Watch for hidden hazards on the terrain during operation.

- **AVOID INJURY OR DEATH FROM FALLING OBJECTS:**

- Logs, posts, stones, and other objects can roll or become dislodged from bucket. Do not carry or raise loose shiftable loads.

- Always carry material low to the ground.

- Never lift or carry loads so that dislodged material can fall toward the operator zone.

SAFETY RULES



ATTENTION! BECOME ALERT! YOUR SAFETY IS INVOLVED!



- Before leaving operator's seat, follow power unit manual instructions. Lower lift arms, close the bucket clam section, and put attachment on the ground. Stop engine, remove key, engage brake, and remove seat belt/operator restraint.

MAINTENANCE SAFETY

- Do not modify or alter or permit anyone else to modify or alter the equipment or any of its components in any way.
- Your dealer can supply original equipment hydraulic accessories and repair parts. Substitute parts may not meet original equipment specifications and may be dangerous.
- Always wear relatively tight and belted clothing to avoid entanglement in moving parts. Wear sturdy, rough-soled work shoes and protective equipment for eyes, hair, hands, hearing and head.
- Do not allow other people in the area when operating, attaching, removing, assembling or servicing equipment.
- Never go underneath equipment lowered to the ground or raised. Never place any part of the body underneath equipment or between moveable parts even when the engine has been turned off. Hydraulic system leak down, hydraulic system failures, mechanical failures or movement of control levers can cause equipment to drop or rotate unexpectedly and cause severe injury or death.
 - Service work does not require going

underneath.

- Read operator's manual for service instructions or have done by a qualified dealer.

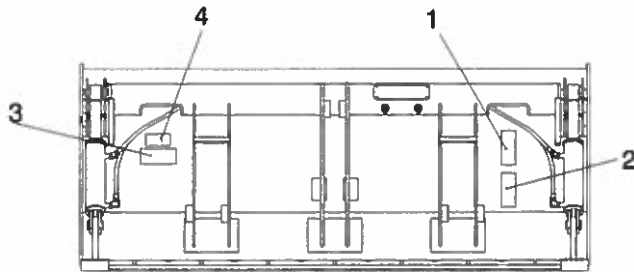
- Ensure implement is properly attached, adjusted and in good operating condition.
- Never perform service or maintenance with engine running.
- Keep all persons away from operator control area while performing adjustments, service or maintenance.
- Tighten all bolts, nuts and screws to torque chart specifications. Check that all cotter pins are installed securely to ensure equipment is in a safe condition before operating.
- Ensure all safety decals are installed. Replace if damaged. (See Safety Decals section for location.)
- Ensure shields and guards are properly installed and in good condition. Replace if damaged.
- Do not disconnect hydraulic lines until machine is securely blocked or placed in lowest position and system pressure is released by operating valve levers.
- When servicing or replacing pins in cylinder ends, buckets, etc., always use a brass drift and hammer. Failure to do so could result in injury from flying metal fragments.

NOTES

SAFETY DECALS

⚠ ATTENTION! BECOME ALERT! YOUR SAFETY IS INVOLVED! ⚠
Replace Immediately If Damaged!

4 – Serial Number Plate



WOODS		YR OF MFG	MASS (KG)
OREGON, U.S.A.		<input type="text"/>	<input type="text"/>
MODEL & SERIAL NO.			
<input type="text"/>			
MACHINE MODEL	CAPACITY	CLAM EDGE	
<input type="text"/>	<input type="text"/>	<input type="text"/>	
SHANK	CYLINDER		
<input type="text"/>	<input type="text"/>		
CUTTING EDGE	DOZER EDGE		
<input type="text"/>	<input type="text"/>		
10-96			

1-PN-26-0351

⚠ DANGER

SERIOUS INJURY OR DEATH CAN RESULT FROM CONTACT WITH ELECTRICAL LINES.

⚠ DANGER

ROLLOVERS CAN RESULT IN INJURY OR DEATH

- ALWAYS USE ROPS AND SEAT BELT.
- ADD REAR TRACTOR BALLAST
- MOVE WHEELS TO WIDEST SETTING.
- AVOID SLOPE OPERATION.
- OPERATE AT LOW SPEEDS.
- CARRY LOAD LOW.

26-0351

2-PN-58374

⚠ WARNING

- Read and understand Operator's Manual before operating (available from dealer or, in the United States and Canada, call 1-800-319-6637).
- Keep others away when operating loader.
- Do not allow children or untrained persons to operate equipment.
- Lower loader to ground, stop engine, set park brake and remove key before leaving tractor seat.
- Failure to follow safety rules can result in serious injury or death.

⚠ WARNING

FALLING LOAD HAZARD TO AVOID INJURY OR DEATH:


- Logs, posts, stones and other objects can roll or become dislodged from bucket. Do not carry or raise loose shiftable loads.
- Tractor must be equipped with ROPS, FOPS and falling object guards.
- Always carry material low to the ground and drive slowly.
- Never lift or carry loads so that dislodged material can fall toward the operator zone.

58374

SAFETY DECALS

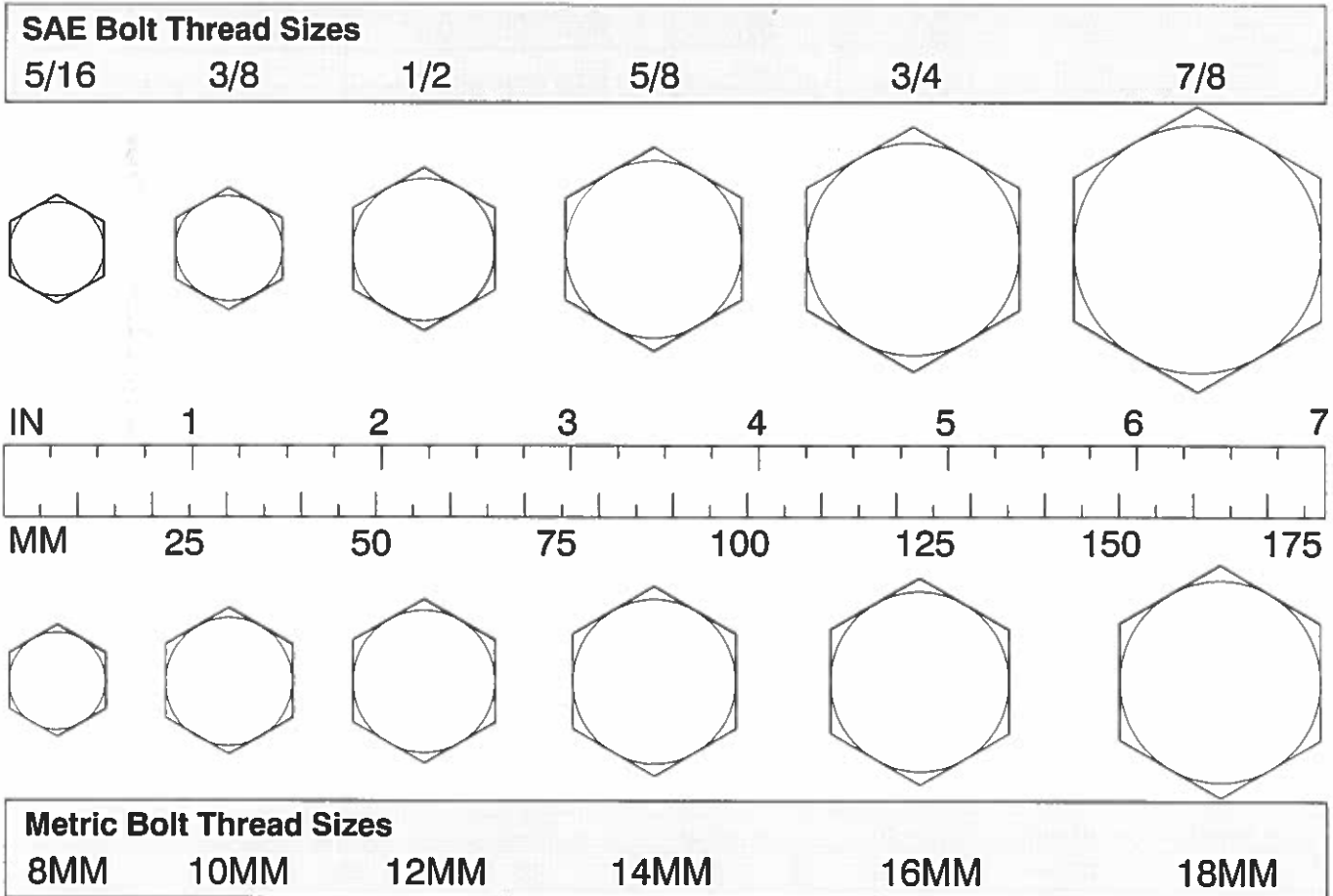
⚠ ATTENTION! BECOME ALERT! YOUR SAFETY IS INVOLVED! ⚠
Replace Immediately If Damaged!

3 - PN-19924

	⚠ WARNING
	<p>HIGH PRESSURE HYDRAULIC OIL LEADS CAN PENETRATE SKIN.</p> <ul style="list-style-type: none"> ■ CHECK FOR LEAKS WITH CARDBOARD, NEVER USE HAND. ■ BEFORE LOOSENING FITTINGS: LOWER LOAD, RELEASE PRESSURE, AND BE SURE OIL IS COOL. ■ CONSULT PHYSICIAN IMMEDIATELY IF SKIN PENETRATION OCCURS. <p>SKIN PENETRATION CAN RESULT IN SERIOUS INJURY AND GANGRENE.</p>

BOLT SIZE CHART

NOTE: Chart shows bolt thread sizes and corresponding head (wrench) sizes for standard SAE and Metric Bolts.



BOLT TORQUE CHART

SAE Series Torque Chart

Always tighten hardware to these values unless a different torque value or tightening procedure is listed for a specific application.

Fasteners must always be replaced with the same grade as specified in the manual parts list.

Make sure fastener threads are clean and you properly start thread engagement.

SAE Bolt Head Identification



SAE Grade 2
(No Dashes)



SAE Grade 5
(3 Radial Dashes)



SAE Grade 8
(6 Radial Dashes)

Bolt Diameter "A"	Wrench Size	MARKING ON HEAD					
		SAE 2		SAE 5		SAE 8	
		Lbs.-Ft.	(N-m)	Lbs.-Ft.	(N-m)	Lbs.-Ft.	(N-m)
1/4"	7/16"	6	(8)	11	(15)	14	(19)
5/16"	1/2"	13	(18)	21	(28)	25	(34)
3/8"	9/16"	23	(31)	38	(52)	55	(75)
7/16"	5/8"	37	(50)	55	(75)	80	(110)
1/2"	3/4"	57	(77)	85	(115)	120	(165)
9/16"	13/16"	82	(111)	125	(170)	180	(245)
5/8"	15/16"	111	(150)	175	(240)	230	(310)
3/4"	1-1/8"	200	(270)	300	(410)	440	(600)
7/8"	1-5/16"	280	(380)	450	(610)	720	(975)
1"	1-1/2"	350	(475)	680	(925)	1035	(1400)
1-1/8"	1-11/16"	450	(610)	885	(1200)	<p>Bolt Diameter</p>	
1-1/4"	1-7/8"	600	(815)	1255	(1700)		
1-3/8"	2-1/16"	675	(915)	1620	(2200)		
1-1/2"	2-1/4"	920	(1250)	2200	(2900)		

Metric Series Torque Chart

Use only metric tools on metric hardware.

Always tighten hardware to these values unless a different torque value or tightening procedure is listed for a specific application.

Fasteners must always be replaced with the same grade.

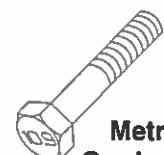
Make sure fastener threads are clean and you properly start thread engagement.

Bolt Diameter "A"	Wrench Size	MARKING ON HEAD			
		8.8		10.9	
		N-m	(Lbs.-Ft.)	N-m	(Lbs.-Ft.)
5 mm	8 mm	6	(4.5)	9	(6.5)
6 mm	10 mm	10	(7.5)	15	(11)
8 mm	13 mm	25	(18)	35	(26)
10 mm	16 mm	50	(37)	75	(55)
12 mm	18 mm	85	(63)	130	(97)
14 mm	21 mm	110	(80)	150	(110)
16 mm	24 mm	215	(159)	315	(232)
20 mm	30 mm	435	(321)	620	(457)
24 mm	36 mm	750	(553)	1070	(789)
30 mm	46 mm	1495	(1103)	2130	(1571)

Metric Bolt Head Identification



Metric Grade 8.8



Metric Grade 10.9

OPERATION

Safety is a primary concern in the design and manufacture of our products. Unfortunately, our efforts to provide safe equipment can be wiped out by a single careless act of an operator.

In addition to the design and configuration of equipment, hazard control and accident prevention are dependent upon the awareness, concern, prudence and proper training of personnel involved in the operation, transport, maintenance and storage of equipment.

It has been said *"The best safety device is an informed, careful operator."* We ask you to be that kind of an operator.

The operator is responsible for the safe operation of this equipment. Operators must be instructed in and be capable of the safe operation of the equipment, its attachments and all controls. Do not allow anyone to operate this equipment without proper instructions.

WARNING

■ **Safety instructions are important! Read all attachment and power unit manuals; follow all safety rules and safety decal information. (Replacement manuals are available from dealer or, in the United States and Canada, call 1-800-319-6637.) Failure to follow instructions or safety rules can result in serious injury or death.**

■ **Do not allow children or untrained persons to operate equipment.**

■ **Do not allow other people in the area when operating, attaching, removing, assembling or servicing equipment.**

■ **Never go underneath equipment lowered to the ground or raised. Never place any part of the body underneath equipment or between moveable parts even when the engine has been turned off. Hydraulic system leak down, hydraulic system failures, mechanical failures or movement of control levers can cause equipment to drop or rotate unexpectedly and cause severe injury or death.**

● **Service work does not require going underneath.**

● **Read operator's manual for service instructions or have done by a qualified dealer.**

■ **Ensure implement is properly attached, adjusted and in good operating condition.**

This Multi-Purpose bucket fits to 210E, 310SE and 410E John Deere Loader Backhoe models.

Read the Loader Backhoe operator manual for instructions on proper operation and safety.

The Multi-Purpose bucket is designed to perform multiple tasks using a single attachment.

PRE-OPERATION CHECK LIST (OWNER'S RESPONSIBILITY)

- ___ Review and follow all safety rules and safety decal instructions on pages 3 through 7.
- ___ Check that all safety decals are installed and in good condition. Replace if damaged.
- ___ Check that all shields and guards are properly installed and in good condition. Replace if damaged.
- ___ Check that all hardware and cotter pins are properly installed and secured.
- ___ Check that equipment is properly and securely attached to Loader Backhoe
- ___ Do not allow riders.
- ___ Check and keep all bystanders away from equipment working area.
- ___ Check all lubrication points and grease as instructed in "Service, lubrication information."
- ___ Check that all hydraulic hoses and fittings are in good condition and not leaking before starting skid steer. Check that hoses are not twisted, bent sharply, kinked, frayed or pulled tight. Replace any damaged hoses immediately.
- ___ Keep seat belt/operator restraint securely fastened during operation.

INSTALLING MULTI-PURPOSE BUCKET

WARNING

■ **After connecting hoses, check that all control lever positions function as instructed in the Operator's Manual. Do not operate until control lever and equipment movements are correct.**

■ **Make sure all hydraulic hoses, fittings and valves are in good condition and not leaking before starting power unit or using equipment. Check and route hoses carefully to prevent damage. Hoses must not be twisted, bent sharply, kinked, frayed, pinched, or come into contact with any moving parts. Operate moveable components through full operational range to check clearances. Replace any damaged hoses immediately.**

■ **Ensure implement is properly attached, adjusted and in good operating condition.**

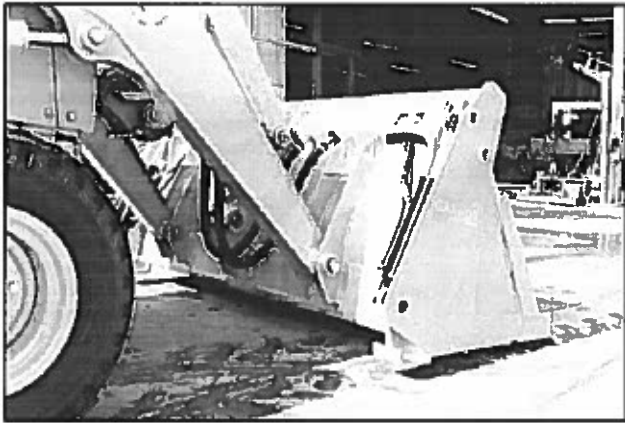


Figure 1. Installing Multi-Purpose Bucket

Remove Loader Backhoe bucket and install Multi-Purpose bucket using existing hardware.

Connect Loader Backhoe hydraulic lines to Multi-Purpose bulkhead fittings using hose kit #22.

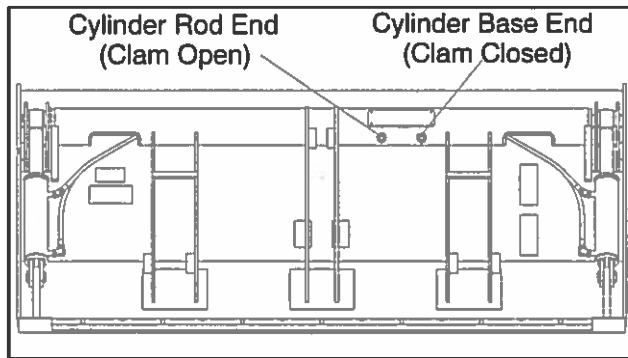


Figure 2. Multi-Purpose Bucket Hydraulic Connections

Lines must be connected so that moving hydraulic control lever forward closes the clam section and moving the control lever rearward opens the clam section.

OPERATING MULTI-PURPOSE BUCKET

WARNING

- Never use attachment to carry loads that exceed power unit rated operating capacity or other specifications. Check your power unit manual or see your dealer for rated operating capacity. Exceeding this capacity can cause machine to tip, roll over, or present other hazards that can cause injury or death.

Operators using the Multi-Purpose bucket must not exceed the Loader Backhoe operating capacity. The density of loose material is variable and care must be used to prevent overloading the Loader Backhoe. When loading dense or wet material, reduce the amount of material carried in the bucket. Lift and carry loads uniformly.

The Multi-Purpose bucket has two main components. The moldboard is shaped to form a dozer blade and a moveable clam section. The Loader Backhoe auxiliary hydraulic system is used to control the position of bucket clam section.

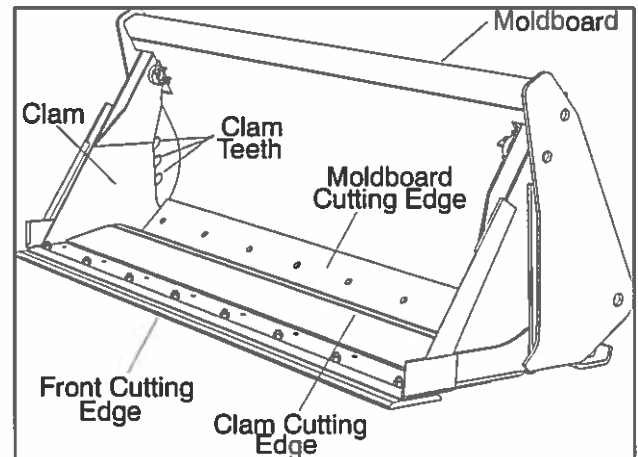


Figure 3. Multi-Purpose Bucket Components

Transporting Loads

WARNING

- Look down and to the rear and make sure area is clear before operating in reverse.

Always follow safety rules, carry low to ground, and travel slowly.

Only raise a load when dumping.

Dumping Loads

WARNING

- Only raise load to dump.
 - Only raise to required height on firm, level surface.
 - Never dump under or around overhead power lines.
 - Keep attachment positioned forward so accidental spillage falls away from operator cab.

■ **AVOID INJURY OR DEATH FROM FALLING OBJECTS:**

- Logs, posts, stones, and other objects can roll or become dislodged from bucket. Do not carry or raise loose shiftable loads.
- Always carry material low to the ground.
- Never lift or carry loads so that dislodged material can fall toward the operator zone.

Transport to dumping location before raising. Only dump load when on a firm level surface.

Slowly raise load to required dumping height. Rotate bucket forward and release load.

When loading over the side of the trucks or bins, tilt bucket fully forward to dump the load. The bucket clam may be extended (opened) to empty any additional material from the bucket.

When opening the bucket clam to empty, make sure the entire bucket bottom is over the side of the truck or bin to prevent spillage toward the Loader Backhoe. Check that the clam will not contact any obstruction when opening or closing.

Close the bucket clam fully against the bucket moldboard, lower Loader Backhoe lift arms and rotate forward so bucket rests on ground, before exiting the tractor. Do not allow any persons near the bucket when operating the clam section.

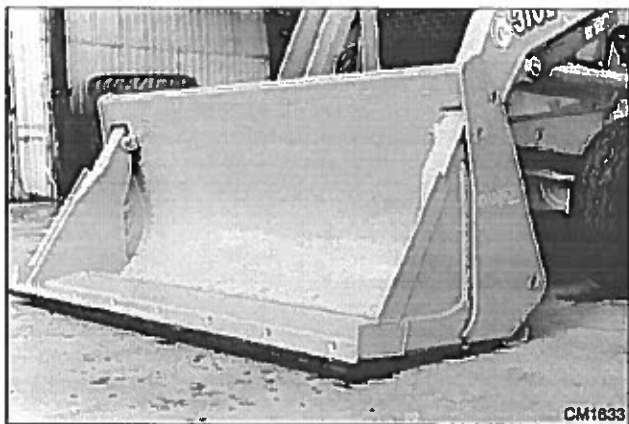


Figure 4. Front clam section Closed

Dozing (Figure 5)

The Multi-Purpose bucket may be operated as a dozing blade. Open the bucket clam fully, and place the moldboard at the desired depth. Using the tractor

bucket hydraulics, tilt the moldboard forward or rearward to the required angle for dozing or backfilling. Do not allow any persons near the bucket when operating the clam section. Close the front clam section fully against the moldboard, lower tractor lift arms and rotate forward so bucket rest on ground, before exiting the tractor.

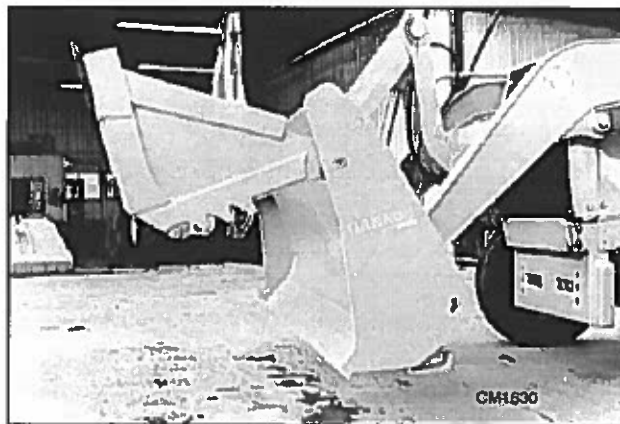


Figure 5. Dozing Position

Scraping and Leveling (Figure 6)

To operate the Multi-Purpose bucket as a scraper, tilt the top of the moldboard forward and open the clam section.

Lower the bucket until the clam cutting edge rests on the ground. Move tractor rearward to carry material in the opened clam section. Material will be spread and leveled. Do not allow any persons near the bucket when operating the clam section. Close the front clam section fully against the moldboard, lower Loader Backhoe lift arms and rotate forward so bucket rest on ground, before exiting the tractor.

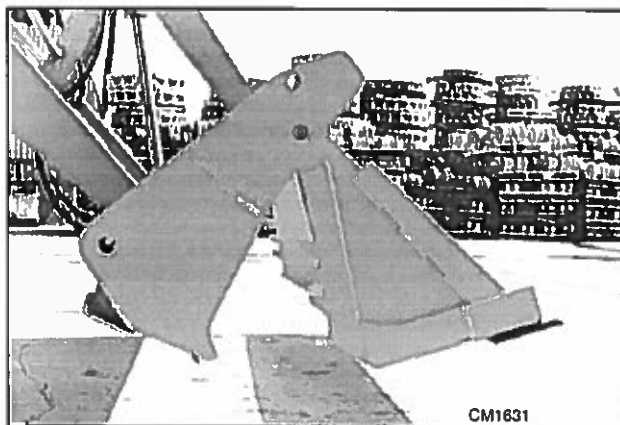


Figure 6. Scraping and Leveling Position

Grappling



WARNING

■ **Material carried by grapple use of bucket clam section has a greater possibility of becoming dislodged and falling. Always carry material low to the ground. Never lift or position bucket so that dislodged material can fall into the operator zone.**

To operate the Multi-Purpose bucket as a grapple, open clam section fully, approach the material to be moved, and close the clam, firmly holding the load.

Loose material like dirt or small aggregate will be scooped into the bucket and may be moved as a conventional load.

Individual items like branches, roots, rocks, concrete pieces, or other debris may be dislodged by grappling action, but should not be carried or dumped while clamped in the bucket. When dumping, items could dislodge and enter the operator control area. After dislodging, load bucket as described above.

Do not exceed the tractor operating capacity when operating the Multi-Purpose bucket. Use care, as the weight distribution of odd shaped items to be grappled can be hard to estimate

Do not allow any persons near the bucket when operating the clam section. Retract the clam section fully against the moldboard and lower to ground before exiting the tractor.

OPTIONAL EQUIPMENT

Cutting Edge

Bolt-on reversible cutting edges are available for all buckets.

Tooth Attachments

Bolt-on teeth with replaceable points are available. Bolt-on teeth may not be installed with replaceable cutting edge installed.

NOTES

OWNER SERVICE

The information in this section is written for operators who possess basic mechanical skills. Should you need help, your dealer has trained service technicians available. For your protection, read and follow all safety information in this manual.

WARNING

■ Safety instructions are important! Read all attachment and power unit manuals; follow all safety rules and safety decal information. (Replacement manuals are available from dealer or, in the United States and Canada, call 1-800-319-6637.) Failure to follow instructions or safety rules can result in serious injury or death.

CAUTION

■ If you do not understand any part of this manual and need assistance, see your dealer.

■ Always wear relatively tight and belted clothing to avoid entanglement in moving parts. Wear sturdy, rough-soled work shoes and protective equipment for eyes, hair, hands, hearing and head.

■ Tighten all bolts, nuts and screws to torque chart specifications. Check that all cotter pins are installed securely to ensure equipment is in a safe condition before operating.

WARNING

■ Ensure shields and guards are properly installed and in good condition. Replace if damaged.

■ Never go underneath equipment lowered to the ground or raised. Never place any part of the body underneath equipment or between moveable parts even when the engine has been turned off. Hydraulic system leak down, hydraulic system failures, mechanical failures or movement of control levers can cause equipment to drop or rotate unexpectedly and cause severe injury or death.

● Service work does not require going underneath.

● Read operator's manual for service instructions or have done by a qualified dealer.

WARNING

■ Keep all persons away from operator control area while performing adjustments, service or maintenance.

■ Do not disconnect hydraulic lines until machine is securely blocked or placed in lowest position and system pressure is released by operating valve levers.

LUBRICATION (Figure 7)

Do not let excess grease collect on or around parts, particularly when operating in sandy areas.

Figure 7 shows the lubrication points. The accompanying chart gives the frequency of lubrication in operating hours based on normal operating conditions. Severe or unusual conditions may require more frequent lubrication. Some reference numbers have more than one location; be sure you lubricate all locations.

Use a lithium grease of #2 consistency with a MOLY (molybdenum disulfide) additive for all locations, unless otherwise noted. Be sure to clean fittings thoroughly before attaching grease gun. When applied according to the lubrication chart, one good pump of most guns is sufficient.



Ref #	Location	Frequency
1	Hinge - Both sides	Every 8 Hours - Daily
2	Cylinder Pivot - Both sides	Every 8 Hours - Daily

Figure 7. Lubrication

CUTTING EDGE REPLACEMENT

WARNING

■ Never go underneath equipment lowered to the ground or raised. Never place any part of the body underneath equipment or between moveable parts even when the engine has been turned off. Hydraulic system leak down, hydraulic system failures, mechanical failures or movement of control levers can cause equipment to drop or rotate unexpectedly and cause severe injury or death.

- Service work does not require going underneath.

- Read operator's manual for service instructions or have done by a qualified dealer.

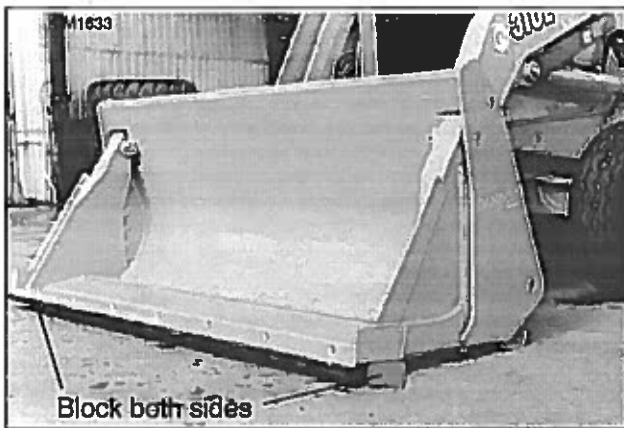


Figure 8. Front Cutting Edge Replacement Block Location (typical)

Front Cutting Edge Replacement

On a hard level surface, lower bucket to rest on blocks as shown in Figure 8.

Set park brake, shut off engine, remove key, remove seat belt/operator restraint, and carefully exit the tractor.

Remove cutting edge retaining plow bolts and cutting edge. Install new cutting edge and tighten nuts to specifications given in the Bolt Torque Chart, page 8.

Moldboard and Clam Cutting Edge Replacement

Open multi-purpose bucket clam section completely and roll bucket back completely rearward against the bucket stop (refer to Figure 9). Lower loader boom so that outer sides of clam are supported by two heavy duty jackstands. Select jackstand height that will

position moldboard cutting edge 3" to 6" off the ground.

Set park brake, shut off engine, and operate valve levers for all bucket functions and loader boom to release any hydraulic pressure. The jackstands must support the equipment with the clam fully opened, the bucket moldboard rotated back against the bucket stop, and loader boom supported from further lowering.

After this position is been established, remove key, remove seatbelt/operator restraint and carefully exit the loader Backhoe. Chock (place blocks) front and rear of loader rear wheels.

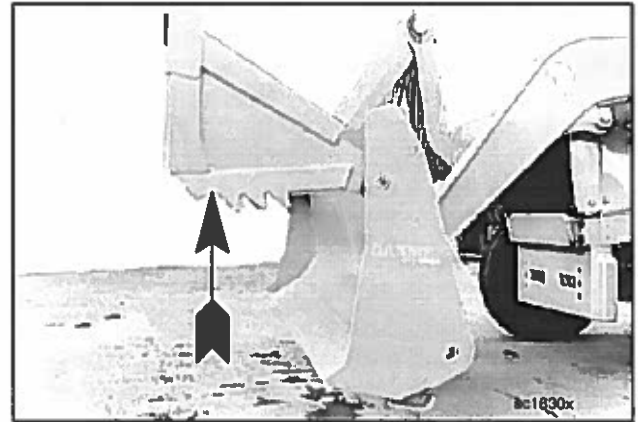


Figure 9. Moldboard and Clam Cutting Edge Replacement Jackstand Location (both sides)

Before proceeding, recheck jackstand stability. When blocking, you must consider overall stability of the unit. Just placing jackstands under the unit will not ensure your safety. The working surface must be level and solid to support the loaded weight of the jackstands. Ensure jackstands are stable both top and bottom. With full weight of unit lowered on jackstands, test blocking stability before working around any portion of the equipment.

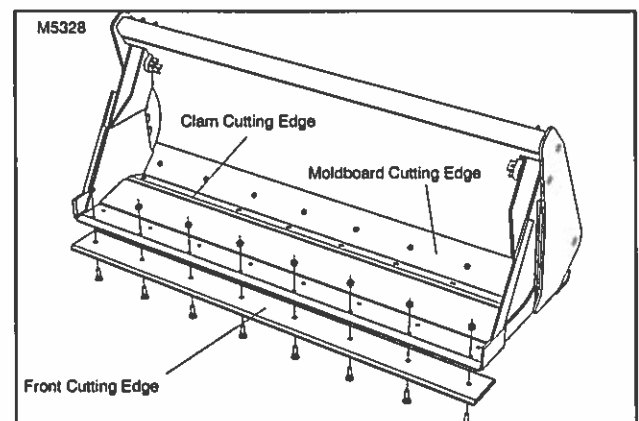


Figure 10. Install Cutting Edge

The clam cutting edge can be removed and installed from the front side of the clam. Do not go underneath the clam or between the clam and moldboard sections.

The moldboard cutting edge can be removed and installed from the rear side of the bucket. Do not go underneath the clam or moldboard sections. Do not go between the clam and moldboard sections.

After installing new cutting edge, tighten all nuts to specifications given in the Bolt Torque Chart, page 8.

ASSEMBLY

PRE-DELIVERY CHECK LIST

(DEALER'S RESPONSIBILITY)

Inspect the equipment thoroughly after assembly to ensure it is set up properly before delivering it to the customer.

The following check lists are a reminder of points to inspect. Check off each item as it is found satisfactory or after proper adjustment is made.

- ___ Check that all safety decals are installed and in good condition. Replace if damaged.
- ___ Check that shields and guards are properly installed and in good condition. Replace if damaged.
- ___ Check all bolts to be sure they are tight.
- ___ Check that all cotter pins and safety pins are properly installed. Replace if damaged.
- ___ Check and grease all lubrication points as identified in "Service, lubrication information."

DELIVERY CHECK LIST

(DEALER'S RESPONSIBILITY)

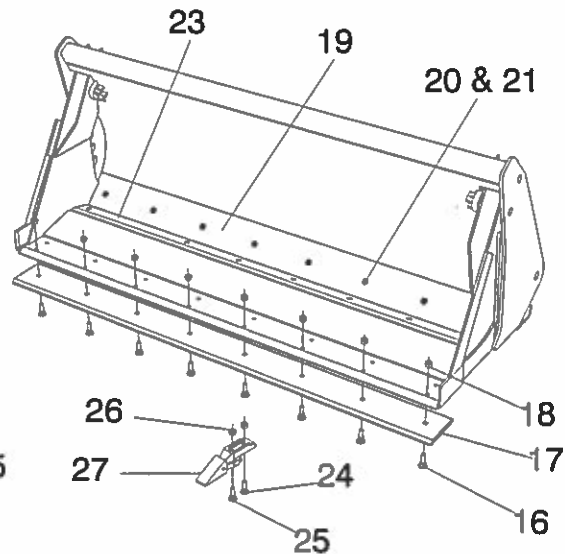
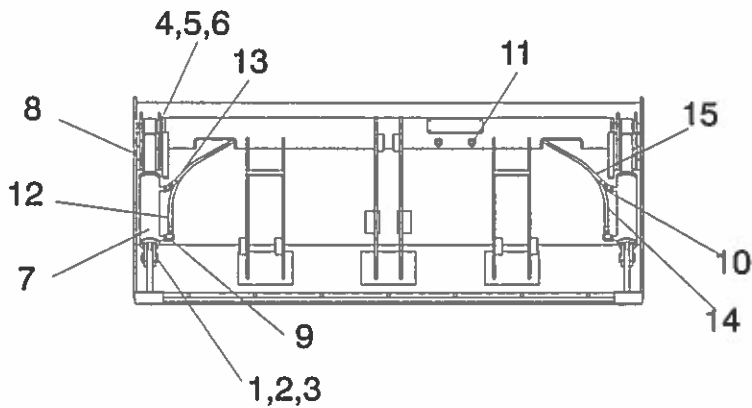
- ___ Show customer how to make adjustments.
- ___ Instruct customer how to lubricate and explain importance of lubrication.

- ___ Point out the safety decals. Explain their meaning and the need to keep them in place and in good condition. Emphasize the increased safety hazards when instructions are not followed.
- ___ Present Operator's Manual and request that customer and all operators read it before operating equipment. Point out the manual safety rules, explain their meanings and emphasize the increased safety hazards that exist when safety rules are not followed.
- ___ Explain to customer the potential crushing hazards of going underneath raised equipment. Instruct customer that service work does not require going underneath unit and never to do so.
- ___ Show customer the safe, proper procedures to be used when mounting, dismounting, and storing equipment.
- ___ Explain to customer that when equipment is transported on a road or highway, safety devices should be used to give adequate warning to operators of other vehicles.
- ___ Make customer aware of optional equipment available so that customer can make proper choices as required.
- ___ Point out all guards and shields. Explain their importance and the safety hazards that exist when not kept in place and in good condition.

NOTES

MULTI-PURPOSE BUCKET PARTS LIST

28 - SAFETY DECAL SET
(Not Shown)



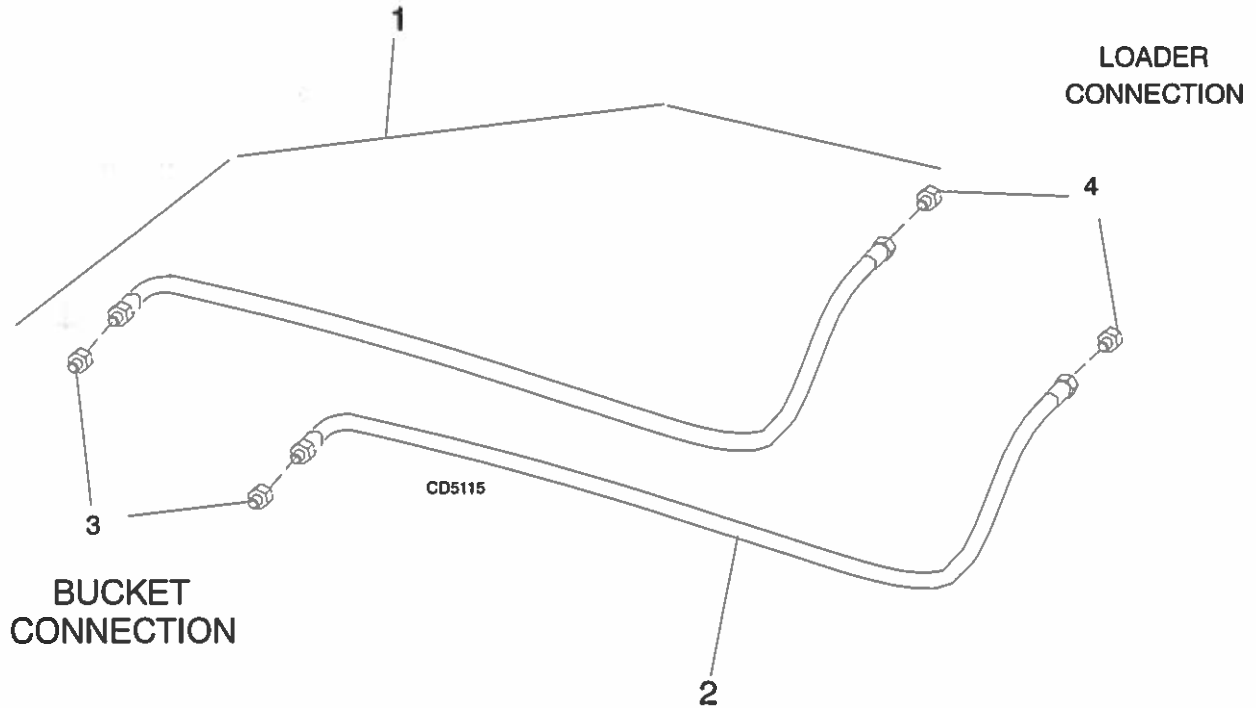
m5328

Ref No	Part No	No Used	Description	Ref No	Part No	No Used	Description
1	H793	2	Pin	16	21261	7	Plow bolt, 5/8 x 2 (Optional) (86" Cutting edge)
2	21176	2	Flatwasher, 1"	16		8	Plow bolt, 5/8 x 2 (Optional) (92" Cutting edge)
3	21161	2	Cotter pin, 3/16 x 1-1/2	17	19276105	1	86" Cutting edge (Optional)
4	21137	2	Lockwasher, 3/8	17	19276102	1	92" Cutting edge (Optional)
5	21240	2	Bolt, 3/8 x 3/4GR5 UNC	18	21288	7	Locknut, 5/8 (Optional) (86" Cutting edge)
6	192813	2	Lock pin assy	18		8	Locknut, 5/8 (Optional) (92" Cutting edge)
7	131261	2	Hydraulic cylinder	19	19276105	1	86" Cutting edge
8	14023	4	Grease fitting	19	19276102	1	92" Cutting edge
9	1082423	2	90 deg. Adapter, 9/16-M ORS/13/16-M SAE	20	21157	14	Plow bolt, 5/8 x 1-3/4 (86" Cutting edge)
10	1082413	2	45 deg. Adaptor, 9/16-M ORS/13/16-M SAE	20		16	Plow bolt, 5/8 x 1-3/4 (92" Cutting edge)
11	1082545	2	T-adaptor, bulkhead, 13/16-M ORS	21	21288	14	Locknut, 5/8 (86" Cutting edge)
12	108367869	1*	3/8 Hose, 69" long	21		16	Locknut, 5/8 (92" Cutting edge)
12	108367872	1**	3/8 Hose, 72" long	22	21121	14	Flatwasher, 5/8 (86" Cutting edge)
13	108367353	1*	3/8 Hose, 53" long	22		16	Flatwasher, 5/8 (92" Cutting edge)
13	108367357	1**	3/8 Hose, 57" long	23	19362786	1	Cutting edge-back drag, 86"
14	108367337	1*	3/8 Hose, 37" long	23	19362792	1	Cutting edge-back drag, 92"
14	108367340	1**	3/8 Hose, 40" long	24		8	Bolt, 5/8 x 2-1/4GR5 (Optional) (92" Cutting edge)
15	1083679	1*	3/8 Hose, 34" long				
15	1083680	1**	3/8 Hose, 37" long				

Ref No	Part No	No Used	Description	Ref No	Part No	No Used	Description
25	21507	7	Bolt, 5/8 x 3GR5 (Optional) (86" Cutting edge)	26		8	Locknut, 5/8 (Optional) (92" Cutting edge)
25		8	Bolt, 5/8 x 3GR5 (Optional) (92" Cutting edge)	27	D1080	7	Shank & point assy (Optional) (86" Cutting edge)
26	21288	7	Locknut, 5/8 (Optional) (86" Cutting edge)	27		8	Shank & point assy (Optional) (92" Cutting edge)
				28	Kit 24	1	Safety decal set

* For 86" Bucket
** For 92" Bucket

HOSE KIT #22



Ref No	Part No	No Used	Description
1	1083681	2	Hose Assembly (Includes item 2, 3, and 4)
2	NSS	4	3/8 x 51" Hose (Spec. 100R2)
3	NSS	2	13/16" ORSF Adapter (bucket end)
4	NSS	2	13/16" ORSM Adapter (loader end)

NSS - Not Sold Separately

INDEX

ASSEMBLY

Pre-Delivery Check List (Dealer's Responsibility),
15

GENERAL

Bolt Size Chart, 7
Bolt Torque Chart, 8
General Information, 2
Introduction, ii
Specifications, 2
Table of Contents, 1

OPERATION

Operating Multi-Purpose Bucket, 10
 Dozing, 11
 Dumping Loads, 11
 Grappling, 12
 Scraping and Leveling, 11
 Transporting Loads, 10

OPERATION (cont.)

Optional Equipment, 12
 Cutting Edge, 12
Pre-Operation Check List (Owner's
 Responsibility), 9

OWNER SERVICE

Dozer Blade Cutting Edge Replacement, 14
Lubrication, 13

PARTS

Multi-Purpose Bucket Parts List, 16-17

SAFETY

Delivery Check List (Dealer's Responsibility), 16
Pre-Delivery Check List (Dealer's Responsibility),
 16
Pre-Operation Check List (Owner's
 Responsibility), 9
Safety Decals, 6-7
Safety Rules, 3-5
Safety Symbol (explanation), ii

NOTES

WARRANTY

Please enter information below and **SAVE FOR FUTURE REFERENCE.**

Date Purchased: _____ From (Dealer): _____

Model Number: _____ Serial Number: _____

WOODS warrants each new WOODS product to be free from defects in material and workmanship. This warranty is applicable only for the normal service life expectancy of the machine or components, not to exceed twelve consecutive months from the date of delivery of the new WOODS product to the original purchaser.

Genuine WOODS replacement parts and components will be warranted for 90 days from date of purchase, or the remainder of the original equipment warranty period, whichever is longer.

Under no circumstances will it cover any merchandise or components thereof, which, in the opinion of the company, has been subjected to negligent handling, misuse, alteration, an accident, or if repairs have been made with parts other than those obtainable through WOODS.

The company in no way warrants engines, batteries, tires or other trade accessories since these items are warranted separately by their respective manufacturers.

Our obligation under this warranty shall be limited to repairing or replacing, free of charge to the original purchaser, any part that in our judgement shall show evidence of such defect, provided further that such part shall be returned within thirty (30) days from date of failure to WOODS, routed through the dealer and distributor from whom the purchase was made, transportation charges prepaid.

This warranty shall not be interpreted to render us liable for injury or damages of any kind or nature to person or property. This warranty does not extend to loss of crops, loss because of delay in harvesting, or any expense or loss incurred for labor, supplies, substitute machinery, rental or for any other reason.

Except as set forth above, WOODS SHALL HAVE NO OBLIGATION OR LIABILITY OF ANY KIND ON ACCOUNT OF ANY OF ITS EQUIPMENT AND SHALL NOT BE LIABLE FOR SPECIAL OR CONSEQUENTIAL DAMAGES. WOODS MAKES NO OTHER WARRANTY, EXPRESS OR IMPLIED, AND, SPECIFICALLY, WOODS DISCLAIMS ANY IMPLIED WARRANTY OF MERCHANTABILITY OR FITNESS FOR A PARTICULAR PURPOSE. SOME STATES OR PROVINCES DO NOT PERMIT LIMITATIONS OR EXCLUSIONS OF IMPLIED WARRANTIES OR INCIDENTAL OR CONSEQUENTIAL DAMAGES, SO THE LIMITATIONS OR EXCLUSIONS IN THIS WARRANTY MAY NOT APPLY.

This warranty is subject to any existing conditions of supply which may directly affect our ability to obtain materials or manufacture replacement parts.

WOODS reserves the right to make improvements in design or changes in specifications at any time, without incurring any obligations to owners of units previously sold.

No one is authorized to alter, modify, or enlarge this warranty nor the exclusions, limitations and reservations.

**Woods Equipment
Company**

2606 Illinois Route 2 South
Post Office Box 1000
Oregon, Illinois 61061

815-732-2141 tel
815-732-7580 fax

WOODS

**WOODS
DUAL
GANNON
ALLOWAY
GILL**

PART NUMBER

57774

**Woods Equipment
Company**

2606 Illinois Route 2 South
Post Office Box 1000
Oregon, Illinois 61061

815-732-2141 tel
815-732-7580 fax

WOODS

LITHO IN USA