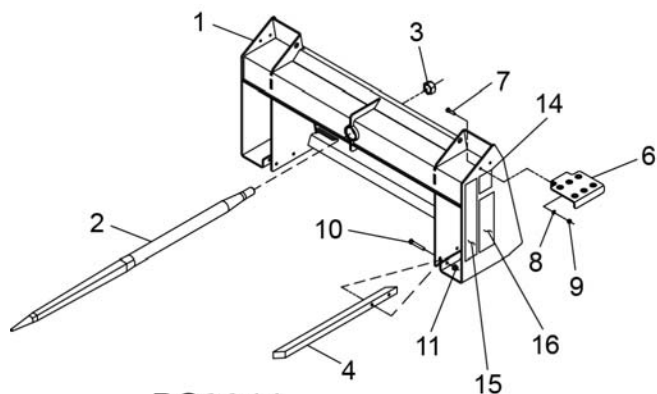
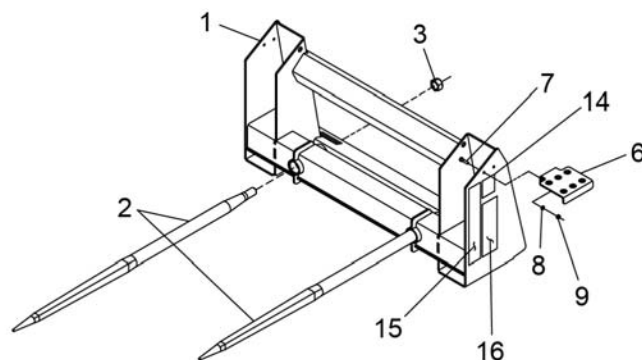


# BALE SPEARS

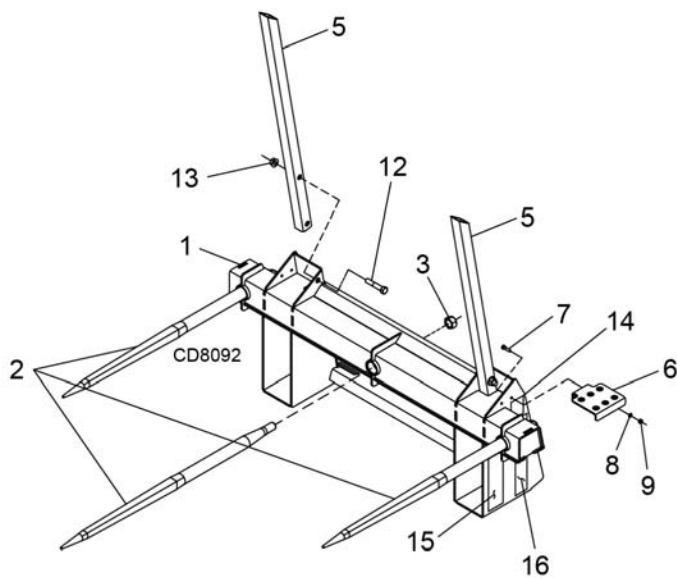
**BS3044S, BS3044JD & BS3044E SINGLE SPEAR**  
**BS6044S, BS6044JD & BS6044E DOUBLE SPEAR**  
**BS7038S, BS7038JD & BS7038E TRIPLE SPEAR**



BS3044



BS6044



BS7038

**BS3044S, BS3044JD & BS3044E SINGLE SPEAR  
 BS6044S, BS6044JD & BS6044E DOUBLE SPEAR  
 BS7038S, BS7038JD & BS7038E TRIPLE SPEAR  
 PARTS LIST**

REF	PARTS	QTY	DESCRIPTION	BS3044	BS6044	BS7038
1	NSS	1	Main Frame Weldment	x	x	x
2	1037173	1	45 mm x 49 in Bale Spear with Nut	x	x	
2	1037174	1	45 mm x 43 in Bale Spear with Nut			x
3	1032633	1	M28 x 1.5P Nut	x	x	x
4	1009273	2	Bale Tooth	x		
5	1037114	2	Bale Support Tube			x
6	1019880	1	Step Kit (Optional)	x	x	x
7	6250 *	2	5/16 NC x 1-1/4 HHCS GR5	x	x	x
8	2472 *	2	5/16 Lock Washer	x	x	x
9	4529 *	2	5/16 NC Hex Nut	x	x	x
10	300157 *	4	3/8 NC x 2-1/4 HHCS GR5	x		
11	14350 *	4	3/8 NC Flange Hex Lock Nut	x		
12	21341 *	4	5/8 NC x 3-1/4 HHCS GR5			x
13	19025 *	4	5/8 NC Flange Hex Lock Nut			x
14	1037784	1	Decal, Warning, Bale Spear Max Load	x	x	x
15	1033032	1	Decal, Warning, Bale Spear Safety	x	x	x
16	1022032	1	Decal, Warning, Skid Steer Safety	x	x	x

NSS Not Serviced Separately  
 \* Standard Hardware, Obtain Locally  
 HHCS Hex Head Cap Screw