



WOODS  
EXCLUSIVE

# EZ-CHANGE™ BLADE SYSTEM

EASILY REPLACE BLADES IN THE FIELD



## LARGE ACCESS WINDOW

Reach blades and pins easily through a convenient large access window.\*



## ONE WRENCH

Change cutter and mower blades using only a  $\frac{3}{4}$ " wrench.



## REMOVE BLADES FAST

Remove blades fast with greaseable EZ-Change™ blade pins.

\*Prevents going under unit for simple blade maintenance. Feature available exclusively on DSXX.50 models, BrushBull™, and Batwing® cutters.

**WOODS**  
GET AFTER IT

WOODS  
EXCLUSIVE

# EZ-CHANGE™ BLADE SYSTEM

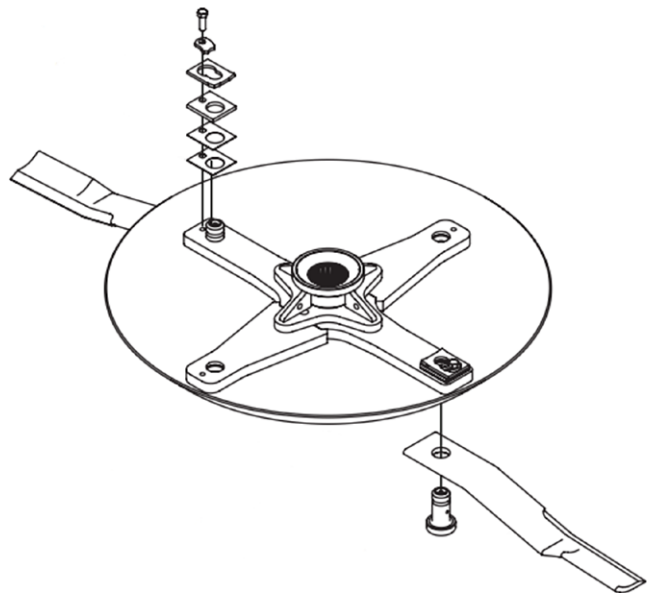
EASILY REPLACE BLADES IN THE FIELD

## HOW IT WORKS

Our exclusive, patented design allows you to quickly change blades in five “EZ” steps.



- 1 Insert blade pin through blade. Push blade pin into crossbar.
- 2 Install shims and spacer over blade pin.
- 3 Install blade clip over the keyhole plate and into the blade pin groove.
- 4 Secure into position with a cap screw. Torque cap screw to 85lbs-ft.
- 5 Grease pin via zerk at end of the pin.



THERE'S NO COMPARISON TO THE  
WOODS® EZ-CHANGE™ BLADE SYSTEM.

AVAILABLE ON ALL BATWING® CUTTERS AND WOODS® PREMIUM ROTARY CUTTERS.

WOODS® | Woods Equipment Company  
2606 South Illinois Route 2, Oregon, Illinois 61061 tel 800-319-6637 [woodsequipment.com](http://woodsequipment.com)

©2023 Woods Equipment Company. All rights reserved. WOODS, and the Woods logo are trademarks of Woods Equipment Company.

September 2023

**WOODS**  
GET AFTER IT