

**W&D** 80 YEARS **DS**

SPRING 2026

# PRODUCT GUIDE



**BATWING**

**THE NEW BW10.30  
10 FT FLEX-WING ROTARY CUTTER**



## SINCE 1946,

Woods® has proudly stood beside hard working men and women dedicated to shaping the land with pride and purpose. As we celebrate our 80th anniversary this year, we continue to honor the work of our customers by always improving on our products, engineering new and innovative designs, and rigorously testing every part and component for durability and longevity. When you choose Woods, you choose more than an attachment. You choose a tradition of quality that helps you get more out of every daylight hour. Thank you for 80 years of trust. It's been our privilege to make the work you do easier, more efficient, and more rewarding. Here's to the generations who got us here—and the generations to come.

Sincerely,

*Derek J. Paulsen*

**Derek Paulsen, Vice President & General Manager**  
Woods Equipment Company

# CONTENTS

<b>FLEX-WING ROTARY CUTTERS</b>	<b>  5</b>
10-foot Batwing® Cutter (NEW)	8
12-foot Batwing® Cutter (NEW MODEL)	10
15-foot Batwing® Cutters	12
20-foot Batwing® Cutters	14

<b>RIGID ROTARY CUTTERS</b>	<b>  17</b>
BrushBull™ Single-spindle Cutters	20
BrushFighter™ Single-spindle Cutters (NEW MODELS)	24
Dual-spindle Cutters	26

<b>FLAIL SHREDDERS</b>	<b>  29</b>
------------------------	-------------

<b>FLEX-WING FINISH MOWERS</b>	<b>  33</b>
Turf Batwing® Mowers	36

<b>3-POINT FINISH MOWERS</b>	<b>  39</b>
TurfKeeper® Series	42
TurfWarrior™ (NEW MODEL)	44

<b>SEEDERS</b>	<b>  47</b>
Precision Super Seeders™	50
Compact Super Seeders	52
Food Plot Seeders	54

<b>HITCHES</b>	<b>  56</b>
Woods Quick Hitch	56

<b>TILLAGE</b>	<b>  57</b>
Forward & Reverse Rotary Tillers (NEW MODELS)	60
Disc Harrows	63

<b>BACKHOES</b>	<b>  65</b>
Groundbreaker® Backhoes	68

<b>LANDSCAPE ATTACHMENTS</b>	<b>  71</b>
Box Scrapers	74
Grading Scrapers	76
Rear Blades	78
Landscape Rakes	80
Post Hole Diggers	81
Stump Grinder	82

<b>SNOW REMOVAL ATTACHMENTS</b>	<b>  83</b>
Snow Blowers	86
Loader Front Blades	88

<b>LOADER ATTACHMENTS</b>	<b>  91</b>
Pallet Forks	94
Bale Spears (NEW MODEL)	96

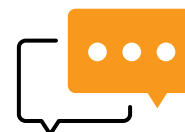
<b>WHY WOODS</b>	
The Woods Advantage	2
Woods 80th Anniversary	3
Limited Edition Anniversary Models	4
EZ-Change™ Blade System	16
Cut Quality Study	32
Quick-Hitch Ready Advantage	38
Plant With Precision	46
Cut Above™ Backhoe Warranty	64
Woods Genuine Parts	97

## GET MORE ONLINE

There are many features on our website that make it easy for you to find and compare products, get a quote, or connect with your Woods® dealer.



**SCAN THIS CODE**  
woodsequipment.com



### MATCH MY TRACTOR

Use the Match My Tractor tool to find the 40HP and under Woods products that are compatible with your tractor.

Page 90

### LIVE CHAT

Chat live with an advocate ready to help you find the right attachment. Ask a question, request a quote, or get connected with your nearest dealer.



### FIND MY DEALER

Finding your nearest Woods dealer is easy! Simply enter your zip code and get a list of authorized Woods dealers in your area.

Page 70

### LATEST NEWS

Stay up-to-date with the latest news, marketing, and product information from Woods.



Scan to find your nearest dealer.

# SUPERIOR STANDARDS. SUPERIOR SERVICE.



## THE LEADER IN CUT QUALITY

You can count on Woods to consistently deliver superior cut quality. In fact, when put to the test, Woods finish mowers and Batwing® BW15 series and BW12.40 flex-wing cutters consistently outperformed competitors in key cut quality categories: evenness of cut, material distribution, and clipping dispersal.



## THE MOST COMPREHENSIVE WARRANTY

We stand behind and reinforce our commitment to quality by offering the Woods Cut Above™ Warranty Program - the most comprehensive warranty plan in the industry.



## AMERICAN-MADE WITH U.S. AND GLOBAL MATERIALS

We're proud to manufacture our Woods attachments in Oregon, Illinois.



## ON-SITE CUSTOMER SUPPORT

When you need technical assistance with a product, our service teams in Oregon, Illinois are ready for you.



## WOODS TRUCK FLEET

Our in-house truck fleet delivers your Woods attachment with "white-glove service" to Woods dealerships, so equipment arrives in perfect condition.



## MATCH MY TRACTOR

Matching the right Woods implement to your tractor is easy with the Woods Match My Tractor feature.



Woods Equipment Company founders, The Wood Brothers

# 80 YEARS OF...

- ✓ RIGOROUS TESTING
- ✓ ENGINEERING FOR PERFORMANCE
- ✓ CONTINUOUS IMPROVEMENT

**THAT'S HOW WOODS®  
DELIVERS QUALITY FOR  
GENERATIONS.**



The 180 is the first Woods® Batwing® launched in 1963.



The BW10 10ft Batwing® is launching in 2026.



Scan to find your nearest dealer.

**OWN A PIECE OF WOODS® HISTORY.**  
**SUPPORT YOUNG LEADERS IN LAND STEWARDSHIP.**



**LIMITED EDITION BLACK BATWING® AND BRUSHBULL™ CUTTERS ARE AVAILABLE WHILE SUPPLIES LAST.**

## **YOUR LAND, YOUR LEGACY**

### **SCHOLARSHIP AWARD**

With every order of our 80th anniversary cutters, Woods will make a contribution to young leaders growing their own legacies in agriculture, ranching, conservation, and land management.



VISIT  
**WOODSBATINBLACK.COM**  
TO LEARN MORE





# FLEX-WING ROTARY CUTTERS

FLEX-WING ROTARY CUTTERS



////// THE ONE AND ONLY SINCE 1963



Scan to find your nearest dealer.



## TOP 3 ADVANTAGES

### 1 | LEGENDARY CUT QUALITY

Enabled by deep cutting decks, high-lift blades, and unique undermount baffling design to better spread cut material.

### 2 | EASY MAINTENANCE

Woods EZ-Change™ Blade System is just one of several features that allow for easy maintenance. Change cutter blades in five steps with a 3/4" wrench. No impact gun or torch required.

### 3 | UNMATCHED GEARBOX PROTECTION

Expertly engineered gearbox prevents leaks, reduces downtime, and is backed by a **10-year warranty** including parts, labor, and seals.



THE ONE AND ONLY SINCE 1963

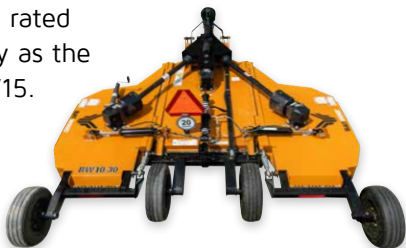
FLEX-WING ROTARY CUTTERS



## MATCH MY APPLICATION

### 10-FOOT

Uses the same #1 rated cutting technology as the BW12.40 and BW15. Ideal for seasonal mowing under 50 acres with a compact tractor.



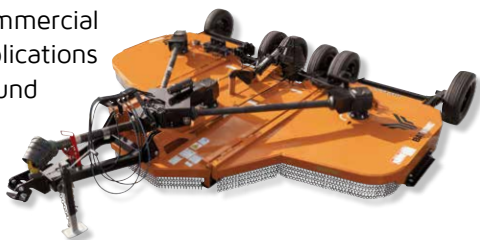
### 12-FOOT

Rated #1 in cut quality by rotary cutter owners. Ideal for commercial mowing applications and seasonal mowing of under 100 acres.



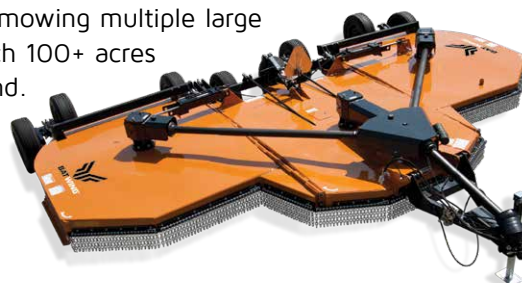
### 15-FOOT

Rated #1 in cut quality by rotary cutter owners. Ideal for commercial mowing applications and year-round mowing of 100+ acres.



### 20-FOOT

Ideal for mowing multiple large fields each 100+ acres year-round.



Note: Single-wing available for 15-Foot and 20-Foot BW models.



Scan to find your nearest dealer.



# 10-FOOT

## #1 IN CUT QUALITY\*

Enabled by deep cutting decks, high-lift blades, and our exclusive baffling design.

\*Includes the #1 rated cutting technology of the BW12.40 and BW15 series.

## EASY MAINTENANCE

- 1 EZ-Change™ Blade System allows blade change in five steps with a ¾" wrench. No impact gun or torch required. A large blade access window at the top of the deck let's you easily access blades for simple maintenance. Features our new shimless and greaseable design.

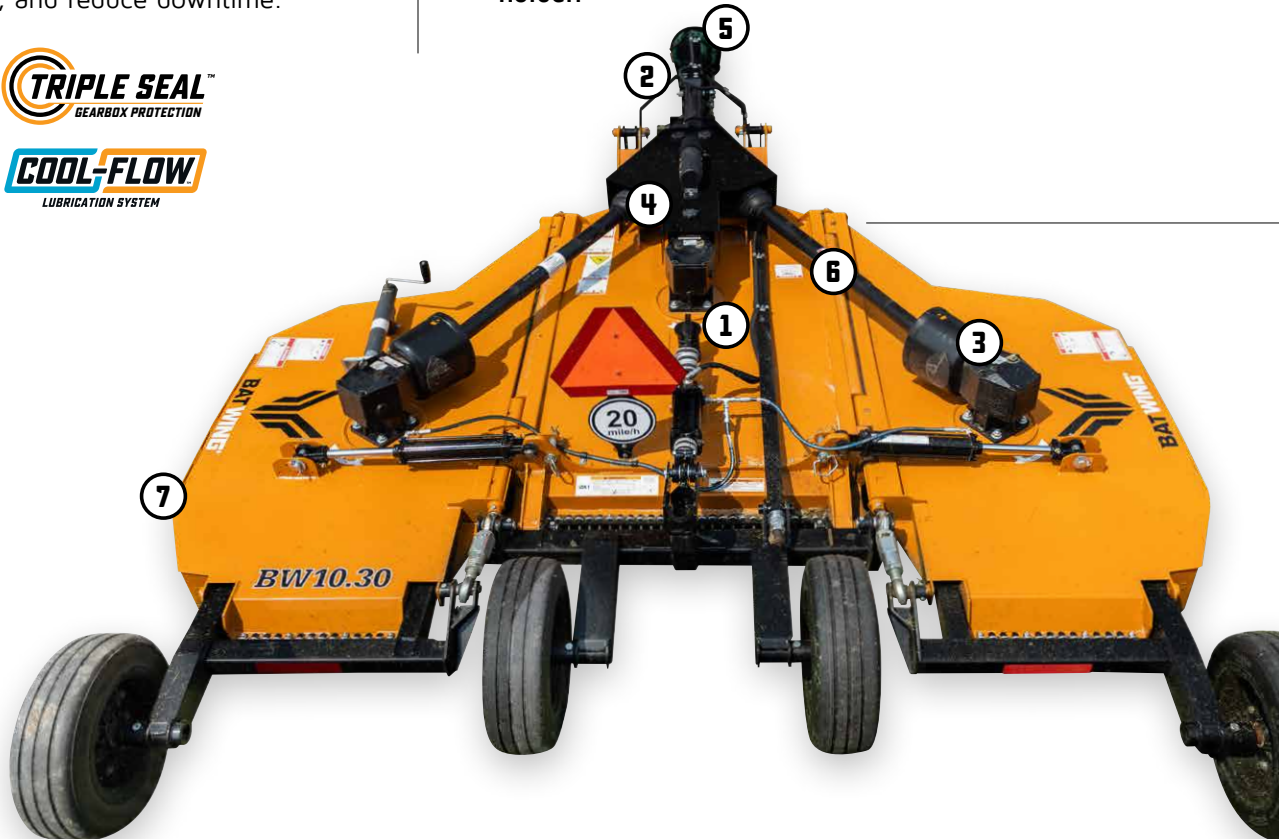


## UNMATCHED GEARBOX PROTECTION

10-year gearbox warranty including parts, labor, and seals. Woods Exclusive Triple Seal™ Gearbox Protection and Cool-Flow™ Lubrication System to cool the gearbox, prevent leaks, and reduce downtime.

## EASY CONNECTION

- 2 Optional easy connection kit can be ordered to make tractor hook up quick and easy. Kit includes our exclusive SmartLift™ System and adjustable hydraulic hose holder.



**PRODUCT TIER KEY**



**NEW MODEL**

## BW10.30

Product Tier	<b>Standard Plus</b>
Tractor PTO 540 rpm (HP)	25 - 60
Adjustable Cutting Height (in)	2 - 12
Cut Capacity Diameter (in)	1.5
Cutting Width (ft)	10
Blade Tip Speed (fpm)	13,100 center / 15,800 wing
Blade Size (in)	.5 x 4 High Lift
Weight / Tongue Weight (lbs)	2173 / 745
Transport Width (in)	82
Hydraulics Wing Flex (degrees)	90 up, 22 down
Side Skirt (in)	10 deep, 7 ga thick
Stump Jumper Type	Oval
Deck Thickness (in)	11 ga
Wheel Type	21" laminated, 21" used aircraft, 21" Severe-duty ag, 21" Severe-duty ag foam-filled
Suspension	Single spring on deck
Driveline Rating	CAT 4 CV main, CAT 3 wing
Gearbox Rating (HP)	160 splitter / 75 center and wing
Output Shaft Size (in)	1.57 dia
Structure Warranty	2-year
Options	Easy Connection Kit with an adjustable hydraulic hose holder and SmartLift™ System, Highway Lighting Kit

## ADDITIONAL FEATURES

- 3 **Metal Thumbscrew Dipstick** quickly and easily check gearbox oil.
- 4 **Tapered Roller Bearing Design** inside the gearbox better absorbs and deflects hard impacts away from gearbox components.
- 5 **PTO Lock Collar** holds PTO collar back for easier tractor connection.
- 6 **Aligned Grease Points** easily find and service grease points.
- 7 **Skid Shoes** are replaceable.



**SCAN THIS CODE**

See woodsequipment.com for all models and complete product specifications.

**AVAILABLE COLORS**



Match the color of your attachment to your tractor. Some colors only available on select models.



Scan to find your nearest dealer.



# 12-FOOT

## #1 IN CUT QUALITY\*

Enabled by deep cutting decks, high-lift blades, and our exclusive baffling design.

\*Rated #1 in cut quality by rotary cutter owners and operators in a double-blind study of major brands in the category.

## EASY MAINTENANCE

- 1 EZ-Change™ Blade System allows blade change in five steps with a ¾" wrench. No impact gun or torch required. A large blade access window at the top of the deck let's you easily access blades for simple maintenance. Features our new shimless and greaseable design.



## UNMATCHED GEARBOX PROTECTION

10-year gearbox warranty including parts, labor, and seals. Woods Exclusive Triple Seal™ Gearbox Protection and Cool-Flow™ Lubrication System to cool the gearbox, prevent leaks, and reduce downtime.

## EASY CONNECTION

- 2 The Woods Exclusive SmartLift™ System holds your 80lb PTO driveline allowing you to easily connect and disconnect from the tractor.



### READ THE STUDY

\*Double-blind online study of the major brands in the flex-wing category.

**PRODUCT TIER KEY**

STANDARD

STANDARD PLUS

PROFESSIONAL

HEAVY-DUTY

EXTRA HEAVY-DUTY

**NEW MODEL**

## BW12.40

Product Tier	Professional
Tractor PTO 540 rpm (HP)	40-120
Adjustable Cutting Height (in)	2 - 12
Cut Capacity Diameter (in)	2.5
Cutting Width (ft)	12
Blade Tip Speed (fpm)	15,523 center / 15,459 wing
Blade Size (in)	.5 x 4
Weight / Tongue Weight (lbs)	3050 / 1055
Transport Width (in)	101
Hydraulics Wing Flex (degrees)	90 up, 22 down
Side Skirt (in)	11 deep, 7 ga thick
Stump Jumper Type	Oval
Deck Thickness (in)	10 ga
Wheel Type	21" laminated, 21" used aircraft, 21" Severe-duty ag, 21" Severe-duty Ag foam-filled, 25.5" Severe-duty Ag, 25.5" Severe-duty Ag foam-filled
Suspension	Spring on center section
Driveline Rating	CAT 4 CV main, CAT 4 wing
Gearbox Rating (HP)	160 splitter / 100 center and wing
Output Shaft Size (in)	2 dia
Structure Warranty	2-year
Options	Dual-wheels on center deck

## ADDITIONAL FEATURES



- ③ **Adjustable Hose Holder** holds hoses closer to the hydraulic remotes, clear of PTO shaft and tractor tires. Makes it easier to match hose length to the tractor.
- ④ **Metal Thumbscrew Dipstick** quickly and easily check gearbox oil.
- ⑤ **Tapered Roller Bearing Design** inside the gearbox better absorbs and deflects hard impacts away from gearbox components.
- ⑥ **PTO Lock Collar** holds PTO collar back for easier tractor connection.
- ⑦ **Aligned Grease Points** easily find and service grease points.
- ⑧ **Skid Shoes** are replaceable.



### SCAN THIS CODE

See woodsequipment.com for all models and complete product specifications.

### AVAILABLE COLORS



Match the color of your attachment to your tractor. Some colors only available on select models.



Scan to find your nearest dealer.



# 15-FOOT

## #1-RATED CUT QUALITY\*

Enabled by deep cutting decks, high-lift blades, and new features like:

- ① **Woods® Level Lock™ Technology** ensures a more level cut height across rugged terrain. (patent pending)
- ② **Optional Cut Height Indicator** allows the operator to mark a desired cut height prior to mowing and readjust from the cab as needed for a more even cut.

\*Rated #1 in cut quality by rotary cutter owners and operators in a double-blind study of major brands in the category.

## UNMATCHED GEARBOX PROTECTION

10-year gearbox warranty including parts, labor, and seals. Woods Exclusive Triple Seal™ Gearbox Protection and Cool-Flow™ Lubrication System to cool the gearbox, prevent leaks, and reduce downtime.



## EASY MAINTENANCE

Woods EZ-Change™ Blade System is just one of several features that allow for easy maintenance. Change cutter blades in five steps with a 3/4" wrench. No impact gun or torch required. Features our new shimless and greaseable design.



## EASY CONNECTION

- ③ **The Woods Exclusive SmartLift™ System** holds your 80lb PTO driveline allowing you to easily connect and disconnect from the tractor.



### READ THE STUDY

\*Double-blind online study of the major brands in the flex-wing category.

Note: Single-wing models BW10.52 and BW10.72 also available.

# THE ONE AND ONLY SINCE 1963

## PRODUCT TIER KEY

STANDARD

STANDARD PLUS

PROFESSIONAL

HEAVY-DUTY

EXTRA HEAVY-DUTY

	<b>BW15.52</b>	<b>BW15.72</b>
Product Tier	Professional	Extra Heavy-Duty
Tractor PTO (HP)	45 - 200	65 - 300
Tractor PTO (rpm)	540 or 1,000	
Adjustable Cutting Height (in)	2-15	
Cut Capacity Diameter (in)	3	4.5
Cutting Width (ft)	15, 10.5 on single-wing model	15, 10.5 on single-wing model
Cut Area Shielding	Single or Double Chain	
Blade Tip Speed (fpm)	15,526 (wing), 15,904 (center) at 540 rpm 15,708 (wing), 15,422 (center) at 1,000 rpm	15,526 (wing), 16,286 (center) at 540 rpm 15,708 (wing), 16,132 (center) at 1,000 rpm
Blade Size (in)	.5 x 4	
Weight / Tongue Weight (lbs)	4595 / 1431	5635 / 1894
Transport Width (in)	96	
Hydraulics Wing Flex (degrees)	90 up, 22 down	
Side Skirt (in)	.25 thick x 13 deep	
Stump Jumper Type	Oval	Round
Deck Thickness (in)	0.135	0.180
Wheel Type	21" laminated, 25" severe-duty Ag, 25" severe-duty Ag foam-filled, 27" severe-duty Ag foam-filled, 29" used aircraft	
Driveline Rating	CAT 6 CV main; CAT 4 wing	CAT 6 CV main; CAT 5 wing
Gearbox Rating (HP)	210 splitter / 200 center and wing	275 splitter / 225 center and wing
Output Shaft Size (in)	2 dia	3 dia
Lights	Rubber-mounted LED	
Options	Double row chain shielding, Dual wheels on Center and Wings, Towing Eye	Double row chain shielding, Dual wheels on Wings, Towing Eye, Walking Tandems, Shredding Kit, Deck Rings
Structure Warranty	2-year	

FLEX-WING ROTARY CUTTERS

## ADDITIONAL FEATURES

- ④ **Large Blade Access Window** for easy blade maintenance from the top of the deck.
- ⑤ **Adjustable Hose Holder** holds hoses closer to the hydraulic remotes, clear of PTO shaft and tractor tires. Makes it easier to match hose length to the tractor.
- ⑥ **Thumbscrew Dipstick** quickly and easily check gearbox oil.
- ⑦ **PTO Lock Collar** holds PTO collar back for easier tractor connection.
- ⑧ **Magnetic Driveline Shields** lift to service gearbox.
- ⑨ **Aligned Grease Points** easily find and service grease points.



### SCAN THIS CODE

See [woodsequipment.com](http://woodsequipment.com) for all models and complete product specifications.

### AVAILABLE COLORS



Match the color of your attachment to your tractor. Some colors only available on select models.



Scan to find your nearest dealer.



# 20-FOOT

## LEGENDARY CUT QUALITY

Enabled by deep cutting decks, high-lift blades, and unique undermount baffling design to better spread cut material.

## EASY MAINTENANCE

Woods EZ-Change™ Blade System is just one of several features that allow for easy maintenance. Change cutter blades in five steps with a 3/4" wrench. No impact gun or torch required.



## UNMATCHED GEARBOX PROTECTION

10-year gearbox warranty including parts, labor, and seals. Woods Exclusive Triple Seal™ Gearbox Protection and Cool-Flow™ Lubrication System to cool the gearbox, prevent leaks, and reduce downtime.



Note: Single-wing BW13.71 model is available.

# THE ONE AND ONLY SINCE 1963

FLEX-WING ROTARY CUTTERS

## PRODUCT TIER KEY

STANDARD

STANDARD PLUS

PROFESSIONAL

HEAVY-DUTY

EXTRA HEAVY-DUTY

	<b>BW20.51</b>	<b>BW20.61</b>	<b>BW20.71</b>
Product Tier	Professional	Heavy-Duty	Extra Heavy-Duty
Tractor PTO (HP)	70 - 200	70 - 300	
Tractor PTO (rpm)	540 or 1,000		
Adjustable Cutting Height (in)	2 - 15		
Cut Capacity Diameter (in)	2	3	4
Cutting Width (ft)	20		20, 13.5 on single-wing model
Cut Area Shielding	Single or Double Chain		
Blade Tip Speed (fpm)	15,450 at 540 rpm or 16,300 at 1,000 rpm		
Blade Size (in)	.5 x 4		
Weight / Tongue Weight (lbs)	6435 / 2400	6600 / 2400	7740 / 2700
Transport Width (in)	123		
Hydraulics Wing Flex (degrees)	90 up, 22 down		
Side Skirt (in)	.25 thick, 13.25 deep		.25 thick, 12.5 deep
Stump Jumper Type	Standard round-welded		
Deck Thickness (in)	0.135		2 x .135
Wheel Type	21 in. laminated, 25 in. severe-duty Ag, 25 in. severe-duty Ag foam-filled, 27 in. severe-duty Ag foam-filled, 29 in. used aircraft		
Driveline Rating	CAT 6 CV main / CAT 4 wing		CAT 6 CV main / CAT 5 wing
Gearbox Rating (HP)	250 splitter / 120 center and wing	250 splitter / 205 center and wing	275 splitter / 225 center and wing
Output Shaft Size (in)	2 dia	3 dia	
Lights	Rubber-mounted LED		
Options	Double-row chain shielding, Tandem spring arm suspension, Pintel ring hitch, Dual wheels on Wing	Double-row chain shielding, Tandem spring arm suspension, Pintel ring hitch, Shredding Kit, Dual wheels on Wing	Double-row chain shielding, Tandem spring arm suspension, Pintel ring hitch, Deck ring, Shredding Kit, Dual wheels on Wing
Structure Warranty	2-year		

## ADDITIONAL FEATURES

- ① **Large Blade Access Window** for easy blade maintenance from the top of the deck.
- ② **PTO Lock Collar** holds PTO collar back for easier tractor connection.
- ③ **Thumbscrew Dipstick** quickly and easily check gearbox oil.
- ④ **Aligned Grease Points** easily find and service grease points.
- ⑤ **Smooth Sloped Deck** sheds water and debris.



**SCAN THIS CODE**

See [woodsequipment.com](http://woodsequipment.com) for all models and complete product specifications.

## AVAILABLE COLORS



Match the color of your attachment to your tractor. Some colors only available on select models.



Scan to find your nearest dealer.



**WOODS  
EXCLUSIVE**

# **EZ-CHANGE™** **BLADE SYSTEM**

**EASILY REPLACE BLADES IN THE FIELD**



### **LARGE ACCESS WINDOW**

Reach blades and pins easily through a convenient large access window.\*



### **ONE WRENCH**

Change cutter and mower blades using only a 3/4" wrench.



### **REMOVE BLADES FAST**

Remove blades fast with greaseable EZ-Change™ blade pins.

# **THERE'S NO COMPARISON TO THE WOODS® EZ-CHANGE™ BLADE SYSTEM.**

**AVAILABLE ON ALL BATWING® CUTTERS AND SELECT WOODS® ROTARY CUTTERS.**

\*Prevents going under unit for simple blade maintenance. Feature available exclusively on professional Dual-Spindle models, BrushBull™, and Batwing® cutters.

NEW MODELS

# RIGID ROTARY CUTTERS



//////////////////// **SHOW BRUSH WHO'S BOSS**



Scan to find your nearest dealer.

# RIGID ROTARY CUTTERS

## TOP 3 ADVANTAGES

### 1 | EASY CONNECTION

Get in the field faster. Woods rigid rotary cutters combine several unique connection features for fast, easy, and hassle-free tractor hook-up.

### 2 | EASY MAINTENANCE

Woods EZ-Change™ Blade System is just one of several features that allow for easy maintenance. Change cutter blades in five steps with a ¾" wrench. No impact gun or torch required.

### 3 | UNMATCHED GEARBOX PROTECTION

Expertly engineered gearbox prevents leaks, reduces downtime, and reduces downtime. BrushBull™, BrushFighter .30, and Dual-Spindle models feature a **10-year gearbox warranty** including parts, labor, and seals.



SHOW BRUSH WHO'S BOSS



## MATCH MY APPLICATION

### BRUSHBULL™

Regular mowing of thick brush, small saplings, and tall grass. Great for roadsides and trails. Available in standard plus, professional, and heavy-duty models.



### DUAL-SPINDLE

Two spindles for twice the cutting action. Perfect for managing orchards, vineyards, tree-lined fields, and brush. Available in standard plus and professional models.



### BRUSHFIGHTER™

Intermittent mowing of weedy overgrowth, light brush and grassy fields. Our standard model rotary cutter pairs with compact and sub-compact tractors.



Scan to find your nearest dealer.

# BRUSHBULL™

## EASY CONNECTION

The industry's easiest tractor connection enabled by:

- ① **Quick-Hitch Ready** from the factory. No additional hardware is needed to use your quick hitch.
- ② **Adjustable Driveline Holder** holds the driveline as you prepare to connect or disconnect the cutter.
- ③ **Tapered Front** gives you more room between the tractor tire and cutter when connecting and disconnecting to the tractor.



## UNMATCHED GEARBOX PROTECTION

**10-year gearbox warranty** including parts, labor, and seals. Woods Exclusive Triple Seal™ Gearbox Protection and Cool-Flow™ Lubrication System to cool the gearbox, prevent leaks, and reduce downtime.



## EASY MAINTENANCE

Woods EZ-Change™ Blade System is just one of several features that allow for easy maintenance. Change cutter blades in five steps with a ¾" wrench. No impact gun or torch required.



## GREATER DURABILITY

- ④ **Woods Exclusive Z-shaped**, high-strength steel bumper is twice as thick as competitive models for backing over tough brush.



**PRODUCT TIER KEY**

STANDARD    STANDARD PLUS    PROFESSIONAL    HEAVY-DUTY    EXTRA HEAVY-DUTY

# 4 & 5-FOOT



	<b>BB48.30</b>	<b>BB60.30</b>	<b>BB60.50</b>	<b>BB60.60</b>
Product Tier	Standard Plus		Professional	Heavy-Duty
Tractor PTO 540 rpm (HP)	15-50	25-50	30-150	40-150
Hitch	CAT 1 clevis		CAT 1 / CAT 2 clevis	
Adjustable Cutting Height (in)	1-9		2-12	
Cut Capacity Diameter (in)	2		3	4
Cutting Width (in)	48	60		
Blade Tip Speed (fpm)	13,000	14,335	15,525	13,570
Blade Size (in)	.50 x 4			
Blade Carrier	Oval stump jumper		Diamond stump jumper optional round	
Deck Thickness (in)	0.105		0.135	
Side Frame Depth / Thickness (in)	10.5 / 0.135		12.7 / 0.25	
Frame / Deck Support (in)	3x3 Tube			
Weight w/ Chain Shielding (lbs)	635	728	974	1,045
Output Shaft Diameter (in)	1.57 dia		2 dia	3 dia
Gearbox HP	65		150	210
Slip-Clutch Driveline Protection	CAT 3		CAT 4	CAT 5
Structure Warranty	2-year			

## ADDITIONAL FEATURES FOR ALL BRUSHBULL™ MODELS



**SCAN THIS CODE**

See [woodsequipment.com](http://woodsequipment.com) for all models and complete product specifications.

**AVAILABLE COLORS**



Match the color of your attachment to your tractor. Some colors only available on select models.



- 5 **Large Blade Access Window** for quick and easy blade maintenance from the top of the deck.
- 6 **Deep Cutting Deck** works together with high-lift blades and a unique rear baffling design for better cut quality.
- 7 **Skid Shoes** protect the deck and are easy to change. Adjust the height on heavy-duty models.

Additional features continued on next page.



Scan to find your nearest dealer.

PRODUCT TIER KEY



# 6-FOOT



	BB72.30	BB72.40	BB72.50	BB72.60
Product Tier	Standard Plus	Professional		Heavy-Duty
Tractor PTO 540 rpm (HP)	30-65	40-90	50-150	50-210
Hitch	CAT 1 clevis	CAT 1 / CAT 2 clevis		
Adjustable Cutting Height (in)	2-12			
Cut Capacity Diameter (in)	2	2.5	3	4
Cutting Width (in)	72			
Blade Tip Speed (fpm)	14,963	15,268	15,900	13,945
Blade Size (in)	.50 x 4			
Blade Carrier	Oval stump jumper		Diamond stump jumper optional round	
Deck Thickness (in)	0.135			
Side Frame Depth / Thickness (in)	10.5 / 0.135		12.7 / 0.25	
Frame / Deck Support (in)	3 x 3 tube			
Weight w/ Chain Shielding (lbs)	882	955	1,125	1,210
Output Shaft Diameter (in)	1.57 dia	2 dia		3 dia
Gearbox HP	60	90	150	210
Slip-Clutch Driveline Protection	CAT 3	CAT 4		CAT 5
Structure Warranty	2-year			



**SCAN THIS CODE**

See [woodsequipment.com](http://woodsequipment.com) for all models and complete product specifications.

**AVAILABLE COLORS**



Match the color of your attachment to your tractor. Some colors only available on select models.

## ADDITIONAL FEATURES FOR ALL BRUSHBULL™ MODELS (CONTINUED)

- 8** A **Heavy-Duty Crossbar** and ¼" steel stump jumper to protect the undercarriage in extreme conditions.
- 9** A **Full Frame Design** with full-length, 3 x 3" tubes and channels for greater strength and durability.
- 10** **Stress Points Tied To The 3 X 3" Tubes (Not The Deck Plate)** for added stability.
- 11** **Rear Baffle, Standard On All Models,** concentrates the airflow and ensures cut material is distributed evenly.
- 12** **Large 1/2-Inch By 4-Inch Blades And Extra Deep Deck** precisely cut large amounts of material.



# SHOW BRUSH WHO'S BOSS

**PRODUCT TIER KEY**



## 7-FOOT



	<b>BB84.40</b>	<b>BB84.50</b>	<b>BB84.60</b>
Product Tier	Professional		Heavy-Duty
Tractor PTO 540 rpm (HP)	40-90	50-150	50-210
Hitch	CAT 1 / CAT 2 clevis	CAT 2 / CAT 3 clevis	
Adjustable Cutting Height (in)	2-12		
Cut Capacity Diameter (in)	2	3	4
Cutting Width (in)	84		
Blade Tip Speed (fpm)	15,086	16,000	14,250
Blade Size (in)	.50 x 4		
Blade Carrier	Oval stump jumper	Diamond stump jumper	Diamond stump jumper optional round
Deck Thickness (in)	0.135		
Side Frame Depth / Thickness (in)	11.4 / 0.135	12.7 / 0.25	
Frame / Deck Support (in)	3 x 3 tube		
Weight w/ Chain Shielding (lbs)	1,132	1,336	1440
Output Shaft (in)	2 dia		3 dia
Gearbox HP	90	150	210
Slip-Clutch Driveline Protection	CAT 4		CAT 5
Structure Warranty	2-year		



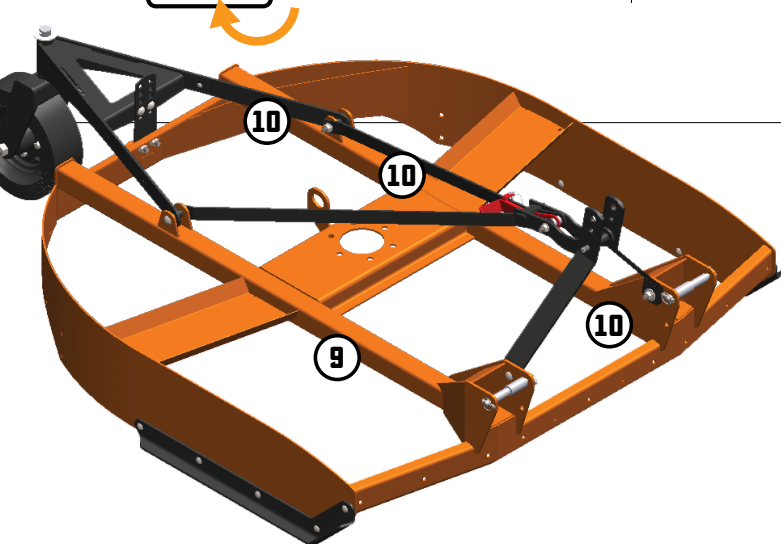
**SCAN THIS CODE**

See [woodsequipment.com](http://woodsequipment.com) for all models and complete product specifications.

**AVAILABLE COLORS**



Match the color of your attachment to your tractor. Some colors only available on select models.



Scan to find your nearest dealer.

# BRUSHFIGHTER™

## EASY CONNECTION

- ① Engineered Quick-Hitch Ready from the factory. No additional hardware is needed to use your quick hitch.



## EASY MAINTENANCE

- ② Smooth sloped deck design sheds water and debris. Metal thumbscrew dipstick featured on standard-plus models makes oil checks fast and easy.

## UNMATCHED GEARBOX PROTECTION



Standard Plus models (BF.30 models) feature a **10-year gearbox warranty** including parts, labor, and seals. Our gearboxes with a 10-year warranty feature Woods Exclusive Triple Seal™ Gearbox Protection and Cool-Flow™ Lubrication System to prevent leaks, cool the gearbox, and reduce downtime.



Standard models (BF.20 models) come with a **6-year gearbox warranty**.





# SHOW BRUSH WHO'S BOSS

### PRODUCT TIER KEY



	BF4.20	BF5.20	BF6.20	BF4.30	BF5.30
Product Tier	Standard			Standard Plus	
Tractor PTO 540 rpm (HP)	15-40	20-50		15-50	20-50
Hitch	CAT 1 cantilevered				
Adjustable Cutting Height (in)	2-9				
Cut Capacity Diameter (in)	1			1.5	
Cutting Width (in)	48	57	69	48	57
Blade Tip Speed (fpm)	13,100	13,620	14,340	13,100	13,600
Blade Size (in)	.5 x 3				
Blade Carrier	Oval stump jumper				
Side Frame Depth (in)	7				
Approximate Weight (lbs)	489	548	627	510	569
Gearbox HP	50			65	
Driveline Protection	Shear-bolt or slip-clutch CAT 3			Slip-clutch CAT 3	



## ADDITIONAL FEATURES

- ③ **Metal Driveline Holder** is more durable than plastic. Keeps the driveline out of the dirt as you connect and disconnect from the tractor.
- ④ **Oval Stump Jumper** adds durability and creates more airflow under the deck for better distribution of cut material.
- ⑤ **Slip-Clutch** is included on Standard Plus models (BF.30 models) for greater driveline protection.
- ⑥ **Factory Pre-Filled Gearboxes** for added convenience. Gets you in the field faster.
- ⑦ **High Strength Steel** for dependability and durability.



### SCAN THIS CODE

See [woodsequipment.com](http://woodsequipment.com) for all models and complete product specifications.

### AVAILABLE COLORS



Match the color of your attachment to your tractor. Some colors only available on select models.



Scan to find your nearest dealer.

PRODUCT TIER KEY



# DUAL-SPINDLE

## EASY CONNECTION

- ① Engineered Quick-Hitch Ready from the factory. No additional hardware is required to use your quick hitch, so you can get in the field and get to work.



## EASY MAINTENANCE

Woods EZ-Change™ Blade System is just one of several features that allow for easy maintenance. Change cutter blades in five steps with a ¾" wrench. No impact gun or torch required.



## UNMATCHED GEARBOX PROTECTION

Advanced gearboxes feature a 10-year gearbox warranty including parts, labor, and seals. Woods Exclusive Triple Seal™ Gearbox Protection and Cool-Flow™ Lubrication System to cool the gearbox, prevent leaks, and reduce downtime.



**PRODUCT TIER KEY**

STANDARD    STANDARD PLUS    PROFESSIONAL    HEAVY-DUTY    EXTRA HEAVY-DUTY

# 8-FOOT

# DUAL-SPINDLE

	<b>DS8.30</b> (PULL-TYPE) <b>MDS8.30</b> (3-POINT MOUNTED)	<b>DS8.50</b> (PULL-TYPE) <b>MDS8.50</b> (3-POINT MOUNTED)	<b>DSO8.50*</b> (OFFSET) (SEMI-MOUNT)
Product Tier	Standard-Plus	Professional	
Tractor PTO (Minimum HP)	35 pull-type 45 mounted	40 pull-type 55 mounted	40
Tractor PTO Speed (rpm)	540		
Hitch	pull-type: pivoting clevis mounted: CAT 1 or 2 / clevis	pull-type: pivoting clevis mounted: CAT 2 or CAT 3 / clevis	CAT 2 or CAT 3 / clevis
Hydraulic Variable Offset (in)	N/A		21 Right - 5 Left
Cutting Width (in)	96		
Cutting Capacity Diameter (in)	1.5	3	
Adjustable Cutting Height (in)	2-12		
Blade Tip Speed (fpm)	15,200	14,886	
Blade Size (in)	.5 x 4		
Deck Side Depth   Thickness (in)	10 deep, .135 thick	13 deep, .135 thick	
Weight (lbs)	pull-type: 1,440 mounted: 1,215	pull-type: 2,205 mounted: 2,055	2,335
Wheel Selection	Laminated, severe-duty new ag; foam filled new ag, 15" rims		21" laminated
Gearbox Rating	100 center / 75 spindles	205 center / 160 spindles	
Optional Dual-Wheels	N/A	Yes, pull-type only	N/A
Driveline w/Slip Clutch	pull-type: CAT 4 CV mounted: CAT 4	pull-type: CAT 6 CV mounted: CAT 5	CAT 5
Structure Warranty	2-year		

## ADDITIONAL FEATURES FOR ALL DUAL-SPINDLE MODELS

- ② **PTO Lock Collar (Pull-Type Only)** holds lock collar in a pulled-back position for easier tractor connection.
- ③ **Large Blade Access Window** for quick and easy blade maintenance from the top of the deck.
- ④ **Smooth Sloped Deck** easily sheds water and debris.
- ⑤ **CV Drive (Pull-Type Only)** for less maintenance and smoother operation.



**SCAN THIS CODE**

See [woodsequipment.com](http://woodsequipment.com) for all models and complete product specifications.

**AVAILABLE COLORS**



Match the color of your attachment to your tractor. Some colors only available on select models.



Scan to find your nearest dealer.

# SHOW BRUSH WHO'S BOSS

PRODUCT TIER KEY



# 10-FOOT

# DUAL-SPINDLE

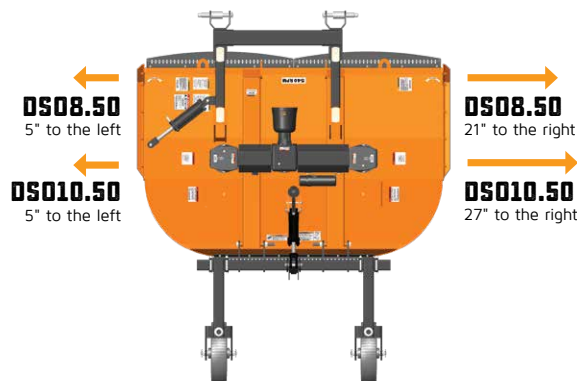
	<b>DS10.40</b> (PULL-TYPE) <b>MDS10.40</b> (3-POINT MOUNTED)	<b>DS10.50</b> (PULL-TYPE) <b>MDS10.50</b> (3-POINT MOUNTED)	<b>DSO10.50*</b> (OFFSET)
Product Tier	Professional		
Tractor PTO (Minimum HP)	40 pull-type 60 mounted	50 pull-type 65 mounted	50 semi-mounted
Tractor PTO Speed (rpm)	540	540 or 1,000	
Hitch	pull-type: pivoting clevis mounted: CAT 2 or CAT 3 / clevis		CAT 2 or CAT 3 / clevis
Hydraulic Variable Offset (in)	N/A		27 Right - 5 Left
Cutting Width (in)	120		
Cutting Capacity Diameter (in)	2	3	
Adjustable Cutting Height (in)	2-12		
Blade Tip Speed (fpm)	16,700	15,974 at 540 rpm or 16,232 at 1,000 rpm (MDS only)	15,974 at 540 rpm or 16,232 at 1,000 rpm
Blade Size (in)	.5 x 4		
Deck Side Depth   Thickness (in)	10 deep   .135 thick	13 deep   .135 thick	
Weight (lbs)	pull-type: 1,820 mounted: 1,575	pull-type: 2,400 mounted: 2,255	2,510
Wheel Selection	Laminated, severe-duty new ag; foam filled new ag, 15" rims	Laminated, severe-duty new ag; foam filled new ag, 15" rims, used aircraft, foam filled used aircraft	21" laminated
Gearbox Rating	120 center / 90 spindles	205 splitter / 160 spindles	
Optional Dual-Wheels	N/A	Yes, pull-type only	N/A
Driveline w/Slip Clutch	pull-type: CAT 4 CV mounted: CAT 5	pull-type: CAT 6 CV mounted: CAT 5	CAT 5
Structure Warranty	2-year		

## \*HYDRAULIC VARIABLE OFFSET

Offset models are ideal for orchards, tree-lined fields, and any setting with overhangs.



**SCAN THIS CODE**  
To see the offset feature in action.



**SCAN THIS CODE**  
See [woodsequipment.com](http://woodsequipment.com) for all models and complete product specifications.

### AVAILABLE COLORS



Match the color of your attachment to your tractor. Some colors only available on select models.

# FLAIL SHREDDERS



//////////////////// **TOP SHREDDING PERFORMANCE**



Scan to find your nearest dealer.

# FLAIL SHREDDERS

## INDUSTRY'S LARGEST FLAIL TUBE



12.75" diameter flail tube for increased rigidity resulting in smoother operation.

## 4X SHREDDING ACTION



Tri-lateral hood design and spiral-mounted knives deliver four times the cutting action, slicing crop residue into smaller pieces for faster decomposition.

## EASY CONNECTION

- ① **Engineered Quick-Hitch Ready from the factory.** No additional hardware is required to use your quick hitch, so you can get in the field and get to work.

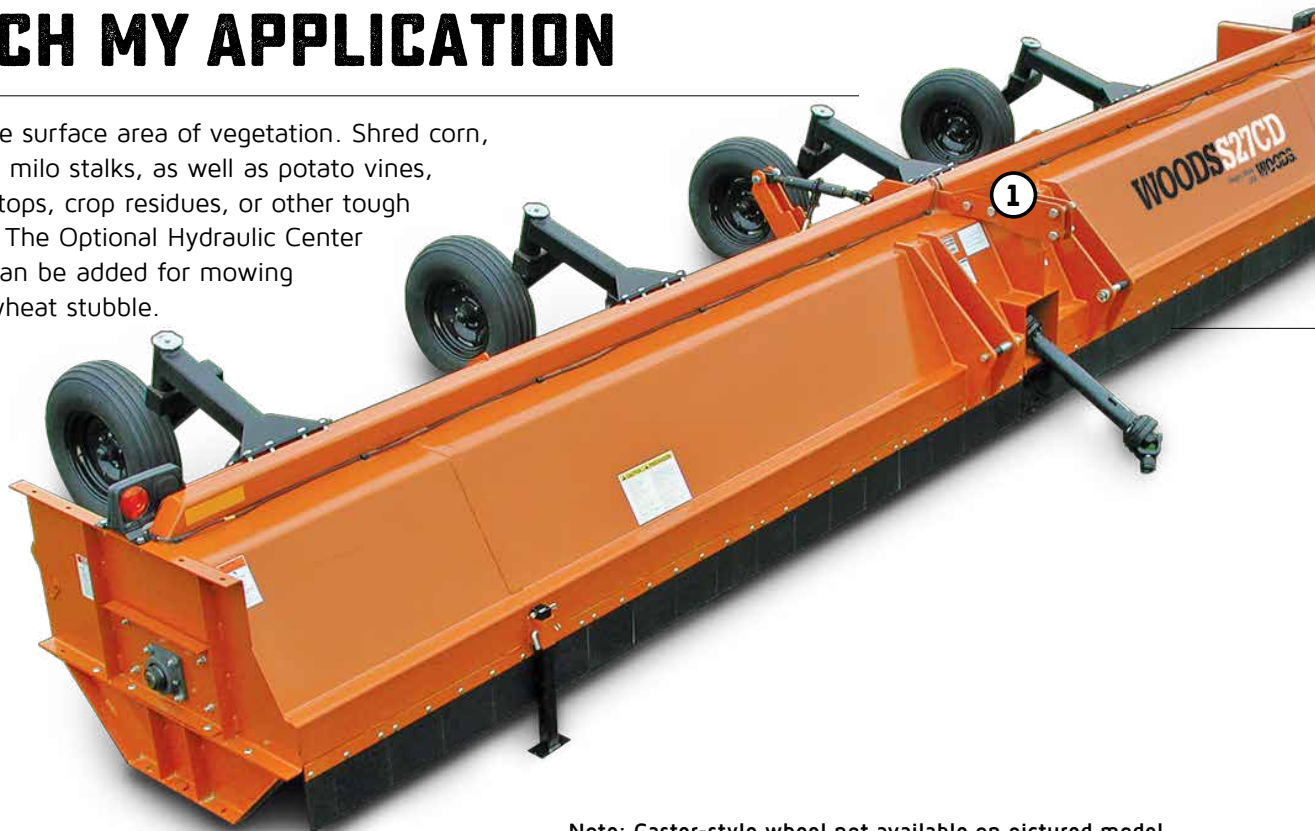


## GEARBOX DESIGN

Special oil seal protectors prevent vines from damaging the gearbox. A high-capacity gearbox with a large oil volume keeps bearings cool and extends gearbox life.

## MATCH MY APPLICATION

Clear a large surface area of vegetation. Shred corn, cotton, and milo stalks, as well as potato vines, sugar beet tops, crop residues, or other tough vegetation. The Optional Hydraulic Center Cutter Kit can be added for mowing grass and wheat stubble.



Note: Caster-style wheel not available on pictured model.

# TOP SHREDDING PERFORMANCE

PRODUCT TIER KEY



	<b>S20CD</b>	<b>S25CD</b>	<b>S27CD</b>
Product Tier	Heavy-Duty		
Minimum Tractor PTO (HP)	120	150	162
Driveline 2 Point & 3 Point	CAT 6		
Adjustable Cutting Height (in)	2 - 14		
Cutting Width (in)	247	303	327
Overall Width (in)	254	310	334
Weight (lbs)	5038	5838	6138
Number of L Knives	228	284	308
Lift HP Required	120	150	165
Flail Tube Diameter (in)	12.75		
Flail Tube End Bearing (in)	2.18		
Shielding	Steel flaps		
Knife Retention	Bolt-on (no D-rings)		
Knife Pattern	Spiral		
Knife Types	Double-edged L (6mm), double-edged HD-cotton Duraface® (8mm) L		
Wheel Size (in)	9.5L x 15.6		
Wheel Arm Types	Rigid strut		
Gearbox Rating HP	300		
Optional Friction Clutch	24,000 lbs inch rating		
Automatic Clutch	30,000 lbs inch rating (1.75" 20 PTO only)		



## ADDITIONAL FEATURES

### KNIFE STYLE OPTIONS

**STANDARD L KNIFE**  
Heat-treated, 6mm reversible for long life.

**HD-COTTON L KNIFE**  
Heat-treated, Duraface®, 8mm reversible for longer life and durability in severe conditions.



**SCAN THIS CODE**

See woodsequipment.com for all models and complete product specifications.

### AVAILABLE COLORS



Match the color of your attachment to your tractor.



Scan to find your nearest dealer.



# WOODS® FINISH MOWERS RATED #1 IN OVERALL CUT QUALITY

- ✓ EVENNESS OF CUT
- ✓ MATERIAL DISTRIBUTION
- ✓ CLIPPING DISPERSAL



WHEREVER YOU SEE THE SEAL, YOU KNOW YOU'RE GETTING  
BEST-IN-CLASS CUT QUALITY AND #1-RATED CUTTING TECHNOLOGY.

**WOODS**  
GET AFTER IT

**ACHIEVING THE BEST IN CUT QUALITY:  
A COMPARISON BY PENN STATE UNIVERSITY**  
A Review of Top Brands of Tractor-Mounted  
Rear Discharge Finish Mowers

When we look at beautifully manicured lawns, grounds or other grassy areas, we inherently know what is missing. Clumps, visible rows and uneven blades of mown grass are nowhere in sight. The absence of these flaws contribute to high marks in "cut quality", which has consistently ranked as the most important priority among users of tractor-mounted finish mowers.

**CUT QUALITY - DEFINED**  
So, how is cut quality defined and measured? Users describe it as a combination of three distinct attributes:

	<b>Evenness of Cut</b> This refers to the uniformity of height of the turf surface after mowing. When you look at the cut path, there should not be any streaking or extended grass blades.
	<b>Material Distribution</b> This is the arrangement of cut material on the surface of the turf. The desirable effect is no rows of accumulated cut material, also known as "windrowing".
	<b>Clippings Dispersal</b> This attribute refers to the spreading or scattering of cut material over the surface of the turf. Poor clippings dispersal results in clumping.

**SUCCESS IN ALL THREE OF THESE ATTRIBUTES RESULTS IN THE BEST OVERALL**

SCAN TO READ  
THE STUDY!

**TURF**  **BATWING®**

# FLEX-WING FINISH MOWERS



//////////////////// **EVEN BETTER CUT QUALITY**



Scan to find your nearest dealer.

# TURF BATWING®



## TOP 3 ADVANTAGES

### 1 | #1-RATED CUTTING TECHNOLOGY

Every Turf Batwing® features the best-in-class cutting technology of the TurfKeeper® Series verified by independent testing.



### 2 | FASTER FINISH RESULTS

High blade tip speeds and a high-torque belt design let you mow faster while maintaining superior cut quality.

### 3 | UNMATCHED SPINDLE AND GEARBOX PROTECTION

Professional models offer an industry-leading **3-year spindle warranty** and **10-year gearbox warranty** including parts, labor, and seals.



EVEN BETTER CUT QUALITY

FLEX-WING FINISH MOWERS



Note: Unit shown without optional chain shielding.

## MATCH MY APPLICATION



### TURF BATWING<sup>®</sup> STANDARD

Ideal for the large residential property owner with an eye for cut quality. This 12-foot model is compatible with compact tractors.

### TURF BATWING<sup>®</sup> PROFESSIONAL

Ideal for large property owners, commercial land managers, and landscapers who need to deliver a superior, finish-cut quality all year-round. Available in 12, 15, and 17-foot. Compatible with compact tractors.



Scan to find your nearest dealer.

# TURF BATWING®

## #1-RATED CUTTING TECHNOLOGY

Every Turf Batwing® features the best-in-class cutting technology of the TurfKeeper® Series verified by independent testing.

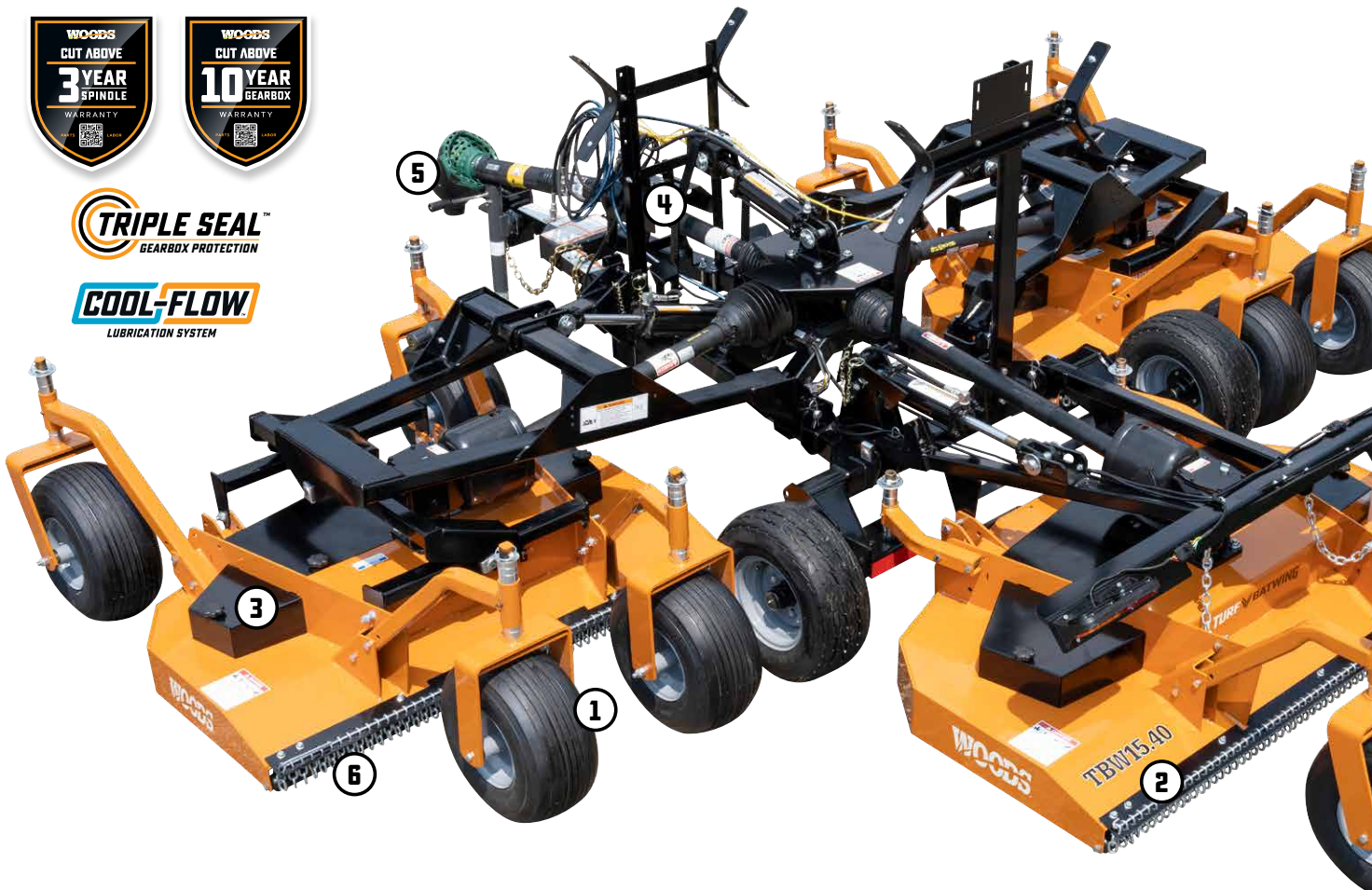


## FASTER FINISH RESULTS

High blade tip speeds and a high-torque belt design let you mow faster while maintaining superior cut quality.

## UNMATCHED SPINDLE AND GEARBOX PROTECTION

Professional models feature a **10-year gearbox** and **3-year spindle warranty** including parts, labor, and seals. Woods Exclusive Triple Seal™ Gearbox Protection and Cool-Flow™ Lubrication System to cool the gearbox, prevent leaks, and reduce downtime.



Note: Unit shown with optional chain shielding.

# EVEN BETTER CUT QUALITY

## PRODUCT TIER KEY

STANDARD

STANDARD PLUS

PROFESSIONAL

HEAVY-DUTY

EXTRA HEAVY-DUTY

	TBW12.20	TBW12.40	TBW15.40	TBW17.40
Product Tier	Standard	Professional		
Tractor PTO 540 rpm (HP)	25-60	30-80	35-80	40-80
Cut Width (in)	144	144	180	204
Cut Height (in)	1.5 - 5.0		1.5 - 5.5	
Deck Cut Widths (in)	Wing Deck 48 / Center Deck 60		Wing Deck 60 / Center Deck 72	Wing Deck 72 / Center Deck 72
Deck Overlap (in)	6			
Blade Tip Speed (fpm)	17,900 / 18,200	18,000	18,100	
Blade Spindle Bearings	Double ball bearings		Triple ball bearings	
Overall Wt. / Transport Tongue Wt. (lbs)	2005 / 384	2819 / 688	3454 / 754	3569 / 794
Transport H x L x W (in)	71.5 x 135 x 91	74 x 167 x 88	83.6 x 176 x 97	90.7 x 176 x 101
Transport Tires (in)	(2) 20.5 x 8-10			
Caster Wheels (in)	(10) 8 x 3.5 solid	(10) 15 x 6-6 pneumatic	(10) 18 x 9.5-8 pneumatic	
Gearbox Rating (HP)	100 splitter / 30 deck	100 splitter / 60 deck	100 splitter / 75 deck	
Drive Type	Gearbox over v-belt			
Drivelines	Main CAT 3 (CV) / Wing CAT 3	Main CAT 4 (CV) / Wing CAT 3		
Deck Thickness (in)	0.141	0.188		
Hydraulic Remotes Required	1			
Warranty Spindle / Gearbox	1-year / 6-year		3-year / 10-year	
Structure Warranty	1-year		2-year	

## ADDITIONAL FEATURES

- 1 Large Caster Wheels** enable a smooth finish cut across rugged terrain.
- 2 Wide Discharge Area** for better clipping dispersal.
- 3 Easy Shield Removal** no tools needed to access belt sheaves, belt, and spring-loaded idler.
- 4 Hydraulic Cylinders** fold the mower for easy transport and storage.
- 5 PTO Lock Collar** holds PTO collar back for easier tractor connection on professional models.
- 6 Optional Chain Shielding** for added safety and peace of mind.



### SCAN THIS CODE

See [woodsequipment.com](http://woodsequipment.com) for all models and complete product specifications.

### AVAILABLE COLORS



Match the color of your attachment to your tractor. Some colors only available on select models.



Scan to find your nearest dealer.



# THE QUICK-HITCH READY ADVANTAGE

Many of our Woods attachments are engineered Quick-Hitch Ready from the factory. Our unique A-frame design features built-in bushings. **No additional hardware is needed to use your quick hitch.**

Woods offers CAT 1 and CAT 2 hitches.

[See page 56](#)



**WHEN YOU SEE THIS SYMBOL, YOU KNOW THE WOODS ATTACHMENT IS QUICK-HITCH READY!**

**HITCH UP AND GET TO WORK!**

## LIST OF WOODS® QUICK-HITCH READY PRODUCTS

- Turf Warrior™ Rough Cut & Finish Mower
- TurfKeeper® Series Finish Mowers
- Rigid Rotary Cutters
- Flail Shredders
- Tillers
- Seeders
- Box Scrapers
- Grading Scrapers
- Snow Blowers

# 3-POINT FINISH MOWERS



**BEST-IN-CLASS FINISH CUT**



Scan to find your nearest dealer.

# 3-POINT FINISH MOWERS



## TOP 3 ADVANTAGES

### 1 | BEST-IN-CLASS CUT QUALITY

When put to the test, Woods TurfKeeper® Series consistently outperformed competitive rear-mount finish mowers in every cut quality category: evenness of cut, material distribution, and clipping dispersal.



### 2 | EASY CONNECTION

A unique combination of features add up to fast, easy, and hassle-free tractor hook-up.

### 3 | UNMATCHED SPINDLE AND GEARBOX PROTECTION

Professional models offer an industry-leading **3-year spindle warranty** and **10-year gearbox warranty** including parts, labor, and seals.




**BEST-IN-CLASS FINISH CUT**

## MATCH MY APPLICATION



### TURFKEEPER® SERIES

Ideal for commercial and residential finish mowing and groundskeeping applications (large lawns, sports fields, parks, and more). Standard models available in 5 and 6 foot cutting widths and professional models available in 5, 6, and 7-foot cutting widths.

### TURFWARRIOR™

The perfect tool for the professional landscaper, land manager, or groundskeeper. This rough cut and finish mower combination is tough and versatile. Move from rough, weedy farmland to commercial lawns and landscapes with a finish-cut quality.



Scan to find your nearest dealer.

# TURFKEEPER® SERIES

## BEST-IN-CLASS CUT QUALITY

When put to the test, Woods TurfKeeper® Series consistently outperformed competitive rear-mount finish mowers in every cut quality category: evenness of cut, material distribution, and clipping dispersal.



## EASY CONNECTION

A unique combination of features add up to fast, easy, and hassle-free tractor hook-up.

- ① Engineered Quick-Hitch Ready from the factory. No additional hardware is required to use your quick hitch, so you can get in the field and get to work.



## UNMATCHED SPINDLE AND GEARBOX PROTECTION

TurfKeeper Pro® models feature a 10-year gearbox and 3-year spindle warranty including parts, labor, and seals. Woods Exclusive Triple Seal™ Gearbox Protection and Cool-Flow™ Lubrication System to cool the gearbox, prevent leaks, and reduce downtime. A 1-year spindle and 6-year gearbox warranty on TurfKeeper® models.



Note: Unit shown with optional chain shielding.

# BEST-IN-CLASS FINISH CUT

**PRODUCT TIER KEY**

STANDARD    STANDARD PLUS    PROFESSIONAL    HEAVY-DUTY    EXTRA HEAVY-DUTY

	TK60.20	TK72.20	TKP60.40	TKP72.40	TKP84.40
Product Tier	Standard		Professional		
Tractor PTO 540 rpm (HP)	15-35	20-35	15-50	20-50	25-50
Hitch	Limited CAT 1 / CAT 1	CAT 1	Limited CAT 1 / CAT 1	CAT 1	
Cutting Width (in)	60	72	60	72	84
Adjustable Cutting Height (in)	1.5 - 5				
Chain Shielding	Optional				
Overall Width (in)	61	73	61	73	85
Operation Weight, w/Chains (lbs)	481	538	636	709	817
Deck Thickness (in)	0.141		0.188		
Blade Tip Speed (fpm)	17,900	18,000	18,000	18,100	
Blade Overlap (in)	1.25		1.5		
Blade Spindles/Bearings	Ductile iron housing / lubed-for-life		Ductile iron housing / triple ball bearings, greasable		
Belt and Belt Adjustment	B-section Aramid / Spring-loaded idler		B-section Aramid / Spring-loaded w/Bearing Pivot		
Driveline Category	CAT 3				
Gearbox Rating (HP)	35		60		
Caster Wheels	3.5 x 8.0 solid rubber		4 x 10 solid rubber		
Structure Warranty	1-year		2-year		

## ADDITIONAL FEATURES

- ② **Driveline Holder** holds the driveline as you prepare to connect and disconnect from the tractor.
- ③ **Heavy-Duty Caster Wheels and Replaceable Pivot Bushings** for added performance and durability on professional models.
- ④ **Easy Shield Removal** no tools needed to access belt sheaves, belt, and spring-loaded idler.



**SCAN THIS CODE**

See woodsequipment.com for all models and complete product specifications.

**AVAILABLE COLORS**



Match the color of your attachment to your tractor. Some colors only available on select models.



Scan to find your nearest dealer.



## OUR MOST VERSATILE FINISH MOWER

Move from rough, weedy farmland to commercial lawns and landscapes with a finish-cut quality.

### EASY CONNECTION

A unique combination of features add up to fast, easy, and hassle-free tractor hook-up.

- 1 Engineered Quick-Hitch Ready from the factory. No additional hardware is required to use your quick hitch, so you can get in the field and get to work.



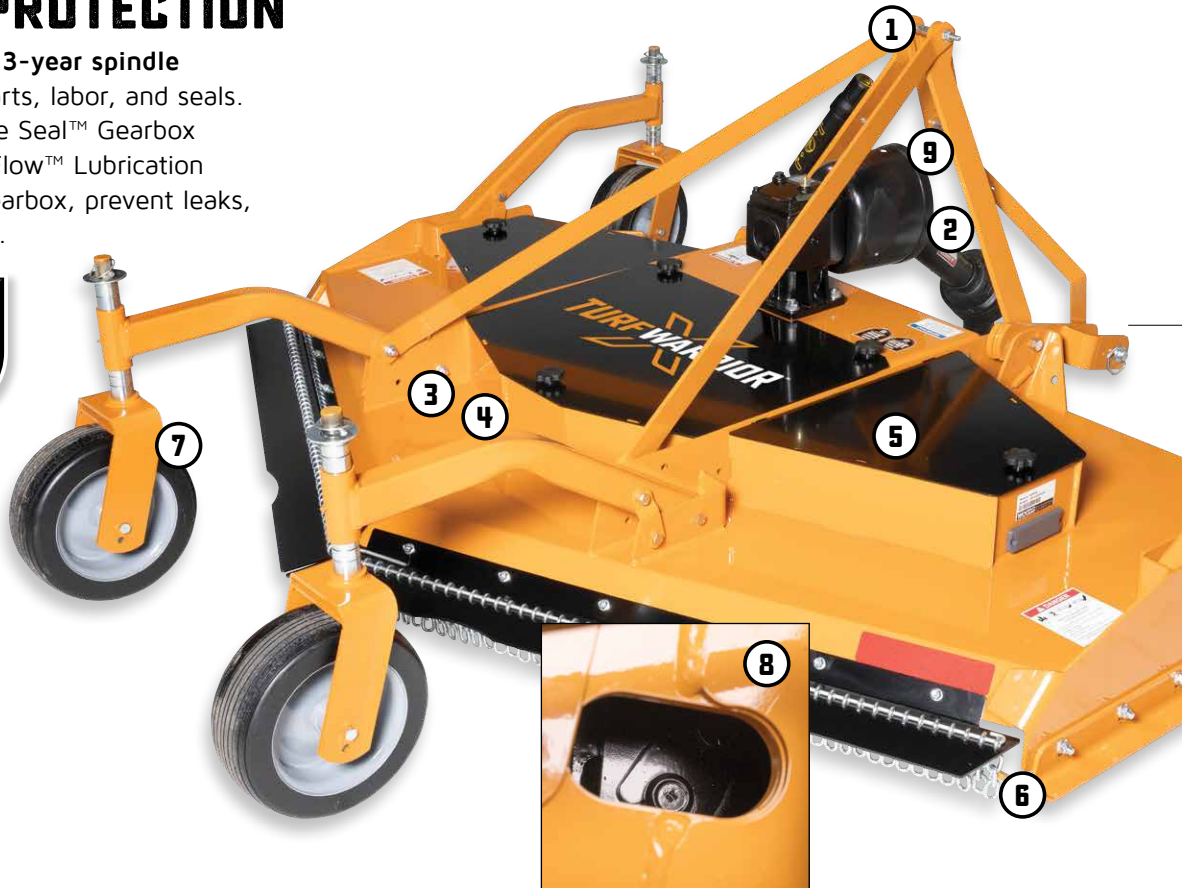
### EASY MAINTENANCE

Woods EZ-Change™ Blade System is just one of several features that allow for easy maintenance. Change cutter blades in five steps with a 3/4" wrench. No impact gun or torch required.



## UNMATCHED SPINDLE AND GEARBOX PROTECTION

10-year gearbox and 3-year spindle warranty including parts, labor, and seals. Woods Exclusive Triple Seal™ Gearbox Protection and Cool-Flow™ Lubrication System to cool the gearbox, prevent leaks, and reduce downtime.



# BEST-IN-CLASS FINISH CUT

PRODUCT TIER KEY

STANDARD

STANDARD PLUS

PROFESSIONAL

HEAVY-DUTY

EXTRA HEAVY-DUTY

## TW990X

Product Tier	Heavy-Duty
Tractor PTO (HP)	45-75
Hitch	CAT 1 / CAT 2
Cutting Width (in)	90
Weight (lbs)	1,200
Adjustable Cutting Height (in)	1.5-7
Cut Capacity (in)	1.5
Overall Width (in)	97
Deck Material Thickness (in)	.188
Side Skirt (in)	.31 x 8.5 with skid shoes
Gearbox Rating (HP)	75
Blade Tip Speed (fpm)	17,000
Blade Overlap (in)	2
Blade Spindles/Bearings	3 cast iron housings / greasable tapered roller bearings
Tractor PTO Speed (rpm)	540
Driveline Size	CAT 4
Belt	Powerband w/double B-section
Belt Adjustment	Spring-loaded idler
Structure Warranty	2-year

## ADDITIONAL FEATURES



- 2 **CAT 1 / CAT 2 Hitch** fits a wider range of tractors. Quick Hitch Ready.
- 3 **Free Swinging Blades** for finish mowing and rough cutting.
- 4 **Standard Stump Jumper** protects spindles from rocks, stumps, and other obstructions.
- 5 **Easy Shield Removal** no tools needed to access belt sheaves, belt, and spring-loaded idler.
- 6 **Replaceable Skid Shoes** for durability and long life.
- 7 **5x13" Solid Wheel with Tapered Roller Bearings** provide superior performance in rough conditions.
- 8 **Blade Access Window** for quick and easy blade maintenance from the top of the deck.
- 9 **Driveline Holder** holds the driveline as you prepare to connect and disconnect from the tractor.



### SCAN THIS CODE

See [woodsequipment.com](http://woodsequipment.com) for all models and complete product specifications.

### AVAILABLE COLORS



Match the color of your attachment to your tractor. Some colors only available on select models.



Scan to find your nearest dealer.



# PLANT WITH PRECISION WITH **WOODS EXCLUSIVE** FEATURES

## SEED CALIBRATION SYSTEM

There is no comparison to our Seed Calibration System. Dial in your exact seed rate per acre with a simple formula and any small digital scale. Save time, save money, and save seed.

## SEEDER INTERCHANGEABLE TOOLS\*

Tailor your seeder to the job at hand. Select a spiked roller ideal for lawn and pasture seeding. Switch to a disc blade for more aggressive soil preparation.

\*Available on PSS and CSS models.

## SEED PLANTING AT TWO DEPTHS

This patented design allows for planting multiple seed types at different depths in a single pass. Save time and plant more effectively.

## WHAT CAN A WOODS SEEDER PLANT? HERE'S A PARTIAL LIST.

### COOL SEASON GRASS / CEREAL GRAINS BOX

(large seeds)

Annual Ryegrass  
Barley  
Buckwheat  
Buffalo Grass

### LEGUME BOX

(small seeds)

Alfalfa  
Bahai  
Bermuda  
Birdsfoot Trefoil

### NATIVE WARM SEASON GRASS BOX

(fluffy, light-weight seeds)

Big Bluestem  
Brome  
Canadian Wild Rye  
Indian Grass



**SCAN FOR A  
COMPLETE  
SEED LIST**

# SEEDERS



//////////////////// **PLANT WITH PRECISION**



Scan to find your nearest dealer.

# SEEDERS

## TOP 3 ADVANTAGES

### 1 | SAVE SEED

Get an exact seed rate before planting with Woods Exclusive Seed Calibration System. No wasted seed. No guesswork.

### 2 | SAVE TIME

Woods Exclusive system for one-pass planting allows you to prep your seed bed, plant your seed at different depths, and culti-pack for optimal seed to soil contact.

### 3 | PLANT WITH PRECISION

Choose between cool season, native warm season, or legume seed boxes. Select the right tillage tool for your project, and plant up to three types of seed at different depths simultaneously.

**SCAN THIS CODE**

For a list of what Woods Seeders can plant.





## MATCH MY APPLICATION

### PRECISION SUPER SEEDER™

Ideal for pasture seeding, overseeding, native grass planting, and food plot planting.



### COMPACT SUPER SEEDER

Compatible with an ATV, UTV, or compact tractor. Delivers the same value and features as the Precision Super Seeder™.



### FOOD PLOT SEEDER

Ideal for the avid hunter planting multiple food plots and small acreage farmer seeding legumes and larger seeds.



Scan to find your nearest dealer.

# PRECISION SUPER SEEDER™

OUR MOST VERSATILE SEEDER! PLANT COOL SEASON, NATIVE WARM SEASON, AND LEGUMES.

## SAVE SEED

Get an exact seed rate before planting with Woods Exclusive Seed Calibration System. No wasted seed. No guesswork.

## SAVE TIME

Woods Exclusive system for one-pass planting allows you to prep your seed bed, plant your seed at different depths, and multi-pack for optimal seed to soil contact.

## PLANT WITH PRECISION

Choose between cool season, native warm season, or legume seed boxes. Select the right tillage tool for your project, and plant up to three types of seed at two depths simultaneously.



## EASY CONNECTION

- ① Engineered Quick-Hitch Ready from the factory. No additional hardware is required to use your quick hitch, so you can get in the field and get to work.



Note: Model shown does not include optional native warm-season seed box.

PRODUCT TIER KEY

STANDARD

STANDARD PLUS

PROFESSIONAL

HEAVY-DUTY

EXTRA HEAVY-DUTY

	PSS60	PSS72	PSS84
Product Tier	Professional		
Tractor Engine (HP)	30-65	35-85	40-125
Tractor Hitch	CAT 1 & CAT 2		CAT 2
Working Width (in)	60	72	84
Weight – Standard Configuration 1 (lbs)	861	1,132	1,249
Weight – Hunting Edition Configuration 2 (lbs)	1,222	1,565	1,761
Drive Type	Ground		
Number of Seed Boxes Available	3		
Seed Metering	Fluted and picker wheel		
Seed Cups (7" spacing)	8	10	12
Cool Season Seed Box Capacity (bushel)	5	6	7
Native Warm Season Seed Box Capacity (bushel)	6.25	7.5	8.75
Legume Seed Box Capacity (bushel)	1.25	1.5	1.75
Front Roller Spikes	(160) .5" x 1.75" carbide steel	(192) .5" x 1.75" carbide steel	(224) .5" x 1.75" carbide steel

## ADDITIONAL FEATURES

- 2 **Woods Exclusive Interchangeable Front Tillage** tool to match your planting application. Choose spiked roller or disc harrow.
- 3 **Optional Row Planting Kit** gives you flexibility to plant in rows or broadcast.
- 4 **Adjustable Seed Rate** to meet specification for your seed type.
- 5 **Adjustable Planting Depth** to plant seeds at an ideal depth in a single pass.
- 6 **Three Different Seed Cup Types** ensure precise application rate with almost any seed size.
- 7 **Optional Mud Scrapers** prevents mud build-up on the spike drive roller, disks, or cultipacker.



**SCAN THIS CODE**

See woodsequipment.com for all models and complete product specifications.

### AVAILABLE COLORS



Match the color of your attachment to your tractor. Some colors only available on select models.



Scan to find your nearest dealer.

# COMPACT SUPER SEEDER

PAIRS WITH COMPACT AND SUB-COMPACT TRACTORS. ATV/UTV\* COMPATIBLE.

## SAVE SEED

Get an exact seed rate before planting with Woods Exclusive Seed Calibration System. No wasted seed. No guesswork.

## SAVE TIME

Woods Exclusive system for one-pass planting allows you to prep your seed bed, plant your seed at different depths, and culti-pack for optimal seed to soil contact.

## PLANT WITH PRECISION

Choose between cool season or legume seed boxes. Select the right tillage tool for your project, and plant up to two types of seed at two depths simultaneously.

## ATV/UTV COMPATIBLE

\* Optional tow kit allows you to plant with your ATV or UTV.



## EASY CONNECTION

- ① Engineered Quick-Hitch Ready from the factory. No additional hardware is required to use your quick hitch, so you can get in the field and get to work.



Note: Model shown does not include optional legume seed box.

**PRODUCT TIER KEY**

STANDARD

STANDARD PLUS

PROFESSIONAL

HEAVY-DUTY

EXTRA HEAVY-DUTY

	<b>CSS48</b>	<b>CSS60</b>
Product Tier	Professional	
Tractor Engine (HP)	15-35	20-45
Tractor Hitch	CAT 1 / Limited CAT 1	
ATV/UTV Engine Size (cc)	Minimum 350	Minimum 400
Working Width (in)	48	60
Overall Width	57	69
Weight with Seed, Depending upon Configuration (lbs)	395-679	487-810
Drive Type	Ground-driven spiked roller	
Number of Seed Boxes Available	2	
Seed Metering	6 seed cups	8 seed cups
Seed Box Ratio	5.1:1 or 14.4:1	5.1:1 or 14.4:1
Cool Season Seed Box with Agitator	Standard	
Cool Season Seed Box Capacity (bushel)	1	1.25
Legume Seed Box	Optional	
Legume Seed Box Capacity (bushel)	1	1.25
Front Tool Choices	6 - 16" notched disc blade or spiked roller	8 - 16" notched disc blade or spiked roller
Calibration Tray	Standard	
Crank Handle	Standard	
Spring-loaded Trailing Cultipacker	Optional	
Speed Ranges	Turf seed range 0-700 lbs/acre (cool season); food plot range 0-30 lbs/acre (legume)	
Options	Fast/slow chain drive, quick-hitch bushings, mud scrapers, seed stop plates, highway lights, tow kit	

## ADDITIONAL FEATURES

- 2 **Woods Exclusive Interchangeable Front Tillage** tool to match your planting application. Choose spiked roller or disc harrow.
- 3 **Adjustable Seed Rate** to meet specification for your seed type.
- 4 **Adjustable Planting Depth** to plant seeds at an ideal depth in a single pass.
- 5 **Up to Two Different Seed Cup Types** ensure precise application rate with almost any seed size.
- 6 **Optional Mud Scrapers** prevents mud build-up on the spike drive roller, disks, or cultipacker.



**SCAN THIS CODE**

See [woodsequipment.com](http://woodsequipment.com) for all models and complete product specifications.

**AVAILABLE COLORS**



Match the color of your attachment to your tractor. Some colors only available on select models.



Scan to find your nearest dealer.

# FOOD PLOT SEEDER

ENGINEERED WITH ADDITIONAL FEATURES FOR AVID HUNTERS.

## SAVE SEED

Get an exact seed rate before planting with Woods Exclusive Seed Calibration System. No wasted seed. No guesswork.

## SAVE TIME

Woods Exclusive system for one-pass planting allows you to prep your seed bed, plant your seed at different depths, and culti-pack for optimal seed to soil contact.

## PLANT WITH PRECISION

Choose between cool season or up to two legume seed boxes. Plant up to two types of seed at two depths simultaneously.



## EASY CONNECTION

- ① Engineered Quick-Hitch Ready from the factory. No additional hardware is required to use your quick hitch, so you can get in the field and get to work.



PRODUCT TIER KEY

STANDARD

STANDARD PLUS

PROFESSIONAL

HEAVY-DUTY

EXTRA HEAVY-DUTY

	FPS60	FPS72	FPS84
Product Tier	Professional		
Tractor Engine (HP)	30-65	35-85	40-125
Tractor Hitch	CAT 1 / CAT 2		CAT 2
Working Width (in)	60	72	84
Weight — Standard Configuration 1 (lbs)	899	1,196	1,320
Weight — Fully Configured 2 (lbs)	1,222	1,578	1,762
Number of Seed Boxes Available	3		
Seed Box Ratio	1-speed		
Seed Cups (7" spacing)	8	10	12
Row Units	Standard		
Cool Season Seed Box Capacity (bushel)	5	6	7
Legume Seed Box Capacity (bushel)	1.25	1.5	1.75
Disc Blades	(8) 16" notched	(10) 18" notched	
Cast Iron or Nylon Trailing Cultipacker	Optional (9.5" diameter cast iron or 11" diameter nylon)		
Calibration Tray & Crank Handle	Standard		
Mud Scrapers & Frame Platform	Optional		

## ADDITIONAL FEATURES

- 2 **Standard Row Planting Kit** gives you flexibility to plant in rows or broadcast.
- 3 **Adjustable Seed Rate** to meet specification for your seed type.
- 4 **Adjustable Planting Depth** to plant seeds at an ideal depth in a single pass.
- 5 **Two Different Seed Cup Types** ensure precise application rate with almost any seed size.
- 6 **Optional Mud Scrapers** prevents mud build-up on the spike drive roller, disks, or cultipacker.



**SCAN THIS CODE**

See woodsequipment.com for all models and complete product specifications.

**AVAILABLE COLORS**



Match the color of your attachment to your tractor. Some colors only available on select models.



Scan to find your nearest dealer.

# WOODS® HITCHES

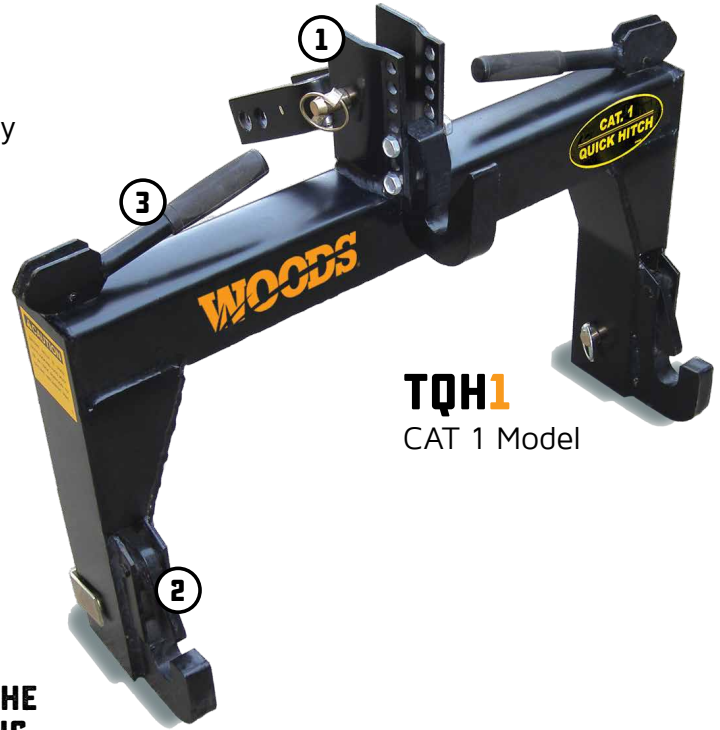
## QUICK HITCH

**MINIMIZE DOWNTIME.  
MAXIMIZE PRODUCTIVITY.**

Woods Quick Hitches make it easy to quickly change attachments in the field.

### ADDITIONAL FEATURES

- ① Heavy-duty steel construction with adjustable top link bracket
- ② 7/8" mounting pins and adapter bushings
- ③ Lower arms lock automatically



**TQH1**  
CAT 1 Model



**WHEN YOU SEE THIS  
SYMBOL, YOU KNOW THE  
WOODS ATTACHMENT IS  
QUICK-HITCH READY!**

	<b>TQH1</b>	<b>TQH2</b>
Tractor Hitch	CAT 1	CAT 2
Width (in)	27.25	27.25
Approximate Weight (lbs)	79	170
Mounting Pin Diameter (in)	.875	.875
Adapter Bushing Diameter (in)	1.125	1.125



**SCAN THIS CODE**

See [woodsequipment.com](http://woodsequipment.com) for all models and complete product specifications.

# TILLAGE



////// **BE READY TO GROW**



Scan to find your nearest dealer.



# TILLAGE

## TOP 3 ADVANTAGES

---

### 1 | TACKLE TOUGH CONDITIONS

A combination of exclusive systems and unique designs ensure your Woods tillage attachment delivers – even in challenging soil conditions.

### 2 | EASY CONNECTION

Tillers are **Quick-Hitch Ready from the factory**. No additional hardware is needed to use your quick hitch, so you can get to work.

### 3 | PREPARE OPTIMAL SEED BED

Every Woods tillage attachment is designed to optimize your planting project from food plots to landscaping.

BE READY TO GROW



## MATCH MY APPLICATION

### FORWARD & REVERSE ROTARY TILLERS



**Forward-rotation tillers** deliver a finely finished seedbed even in rocky soil conditions. Ideal for low-horsepower tractors.

**Reverse-rotation tillers** are great for working the soil more aggressively and leaving behind a finer finish in fewer passes.

### DISC HARROWS

For more challenging, rough tillage soil preparations. Disc Harrow is the ideal choice when you need to dig deeper than a tiller and break ground faster.



Scan to find your nearest dealer.

# FORWARD & REVERSE ROTARY TILLERS

## TACKLE TOUGH CONDITIONS

Woods Exclusive tiller blade mounting feature keeps blades from coming loose in the field. Heat-treated, C-shaped tines penetrate deep, even in thick residue and loose, compacted, or rocky soil.

## EASY CONNECTION

- ① Engineered Quick-Hitch Ready from the factory. No additional hardware is required to use your quick hitch, so you can get in the field and get to work.



## OPTIMIZE YOUR SEED BED

Every Woods tiller can be factory configured to forward or reverse rotation to best match your planting application, save time, and optimize your seedbed.

## UNMATCHED GEARBOX PROTECTION

Expertly engineered gearbox prevents leaks, reduces downtime, and is backed by a **6-year gearbox warranty** including parts, labor, and seals.



# BE READY TO GROW

**PRODUCT TIER KEY**



	<b>RT48.30</b> <b>RTR48.30</b>	<b>RT60.40</b> <b>RTR60.40</b>	<b>RT72.40</b> <b>RTR72.40</b>
Product Tier	Standard Plus	Professional	
Tractor PTO HP	15 - 35	18 - 40	20 - 50
Tractor Hitch	Limited CAT 1 / CAT 1	CAT 1	
Working Width (in)	47	59	71
Overall Width (in)	57	69	81
Weight (lbs)	502 / 508	570 / 578	621 / 630
Maximum Tilling Depth (in)	7		
Drive Type	Gearbox		
Number of Tine/Number of Flanges	24 / 6	28 / 7	36 / 9
Number of Tines per Flange	4 C-type		
Rotor Speed (rpm)	210		
Tractor PTO Speed (rpm)	540		
PTO Driveline Protection	Slip clutch		
Gearbox Housing	Heavy-duty cast iron		
Gearbox Drain Plug	Yes		
Quick-hitch Ready	Yes		
Parking Stand	Standard		

## ADDITIONAL FEATURES

- ② **Robust Gear-Driven Side Drive** provides years of reliable service and requires far less maintenance than chain-driven units.
- ③ **Tapered Tailgate** removes furrow for a finished seedbed.
- ④ **Fixed Offset Tiller Width** covers tire tracks with each pass.
- ⑤ **Adjustable Skid Shoes** provide easy depth control.



**SCAN THIS CODE**

See woodsequipment.com for all models and complete product specifications.

**AVAILABLE COLORS**



Match the color of your attachment to your tractor. Some colors only available on select models.

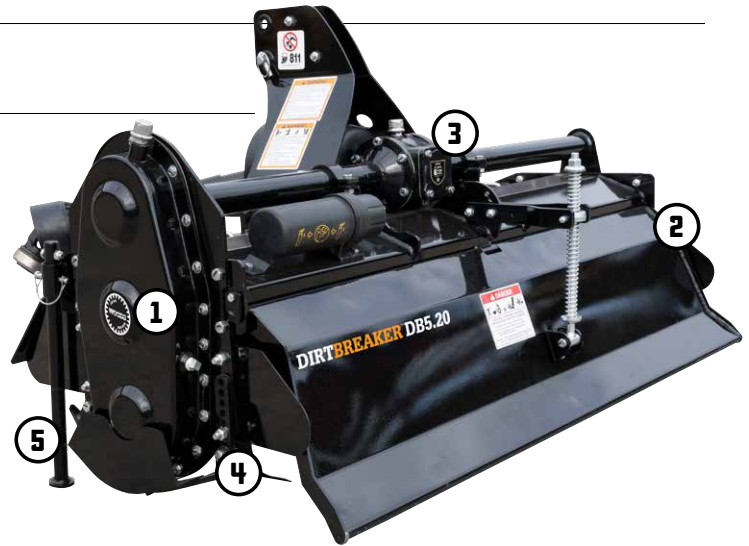


Scan to find your nearest dealer.

# DIRTBREAKER™ ROTARY TILLERS

## ADDITIONAL FEATURES

- ① **Robust Gear-Driven Side Drive** provides years of reliable service and requires far less maintenance than chain-driven units.
- ② **Tapered Tailgate** removes furrow for a finished seedbed.
- ③ **Heavy-Duty Cast Iron Gearbox Housing** with 6-year gearbox warranty.
- ④ **Adjustable Skid Shoes** provide easy depth control.
- ⑤ **Parking Stand** standard for easy storage.



**PRODUCT TIER KEY**

STANDARD    STANDARD PLUS    PROFESSIONAL    HEAVY-DUTY    EXTRA HEAVY-DUTY

	NEW MODELS		
	DB4.20	DB5.20	DB6.20
Product Tier	Standard		
Tractor PTO HP	15 - 25	20 - 30	25 - 35
Tractor Hitch	CAT 1		
Working Width (in)	48	62.1	71.9
Overall Width (in)	53.1	67.2	77
Weight (lbs)	570	640	705
Maximum Tilling Depth (in)	6.9		
Drive Type	Gearbox		
Number of Tine/Number of Flanges	36 / 6	48 / 8	54 / 9
Number of Tines per Flange	6 C-type		
Tine Rotation Direction	Forward		
Rotor Speed (rpm)	244		
Tractor PTO Speed (rpm)	540		
PTO Driveline Protection	Slip clutch		



**SCAN THIS CODE**

See woodsequipment.com for all models and complete product specifications.



# DISC HARROWS

## TACKLE TOUGH CONDITIONS

Optional mud scrapers prevent clogging for increased productivity in challenging conditions.

## PREPARE OPTIMAL SEED BED

Our unique tapered frame design balances individual disc gangs and only requires removing a single pin for easy disc angle adjustments. Quickly change your disc angle for more or less aggressive tillage to match your ideal seed bed.



**PRODUCT TIER KEY**




	DHS48	DHS64	DHS80	DHM80	DHM96
<b>Product Tier</b>	Professional				
<b>Tractor Engine HP</b>	up to 35	25 - 45	35 - 55	45 - 75	55 - 85
<b>Tractor Hitch</b>	Limited CAT 1, CAT 1, CAT 0 Optional	CAT 1		CAT 1 / CAT 2	
<b>Width (in)</b>	48	64	80	80	96
<b>"Average Weight (lbs) - depending on blade type"</b>	390	508	590	845	960
<b>Disc Blade Type</b>	Notched	Notched or combination smooth and notched			
<b>Average Weight Distribution per Blade (lbs)</b>	33	36	33	47	44
<b>Disc Diameter (in) / Quantity</b>	16 / 12	18 / 14	18 / 18	20 / 18	20 / 22
<b>Disc Spacing (in)</b>	7.5 front and rear	9 front 7.5 rear			
<b>Gang Axle Size (in)</b>	1 square			1 1/8 square	
<b>Frame Construction (in)</b>	3 x 3 tube and angle		3 x 3 tube and channel	3 x 3 tube	



**SCAN THIS CODE**

See woodsequipment.com for all models and complete product specifications.

**AVAILABLE COLORS**

 Match the color of your attachment to your tractor.



Scan to find your nearest dealer.

# UNMATCHED 2-YEAR TRACTOR WARRANTY

As part of our Cut Above Warranty Program™, Woods® is the only manufacturer to warranty a tractor for 2-years when a Groundbreaker® backhoe is properly installed on a Woods sub-frame.



**SCAN THIS CODE**  
**FOR COMPLETE WARRANTY INFORMATION**  
or visit [woodsequipment.com/warranty](http://woodsequipment.com/warranty)

# BACKHOES



//////////////////// **ADD THIS TO YOUR BUCKET LIST**



Scan to find your nearest dealer.

# GROUNDBREAKER<sup>®</sup> BACKHOES

## TOP 3 ADVANTAGES

### 1 | GREATER VISIBILITY

Curved-boom design allows you to dig with greater visibility and control.

### 3 | FITS MANY TRACTORS

Subframe kits and three-point mounts available for many tractor models.

### 2 | INDUSTRY-LEADING 2-YEAR TRACTOR PROTECTION

Peace of mind with an unmatched 2-year tractor warranty when a properly installed Woods subframe is purchased from Woods.




 ADD THIS TO YOUR BUCKET LIST

## MATCH MY APPLICATION

### HEAVY-DUTY

Up to 7.5-foot digging depth. Ideal for smaller dirt working and construction jobs, trenching for utilities, removing tree stumps, and landscaping jobs. Compatible with compact and subcompact tractors.

### EXTRA HEAVY-DUTY

Up to 10-foot digging depth. Greater power and digging force than heavy-duty models. Ideal for larger construction and demolition projects, tearing up and moving concrete, landscaping, and trenching and drainage jobs.



Scan to find your nearest dealer.

# GROUNDBREAKER®

## GREATER VISIBILITY

Curved-boom design allows you to dig with greater visibility and control.

## FITS MANY TRACTORS

Subframe kits and three-point mounts available for many tractor models.

## INDUSTRY-LEADING 2-YEAR TRACTOR PROTECTION

Peace of mind with an unmatched 2-year tractor warranty when a properly installed Woods subframe is purchased from Woods.



## ADDITIONAL FEATURES

- ① **Optional Thumbs** to easily pick up and move large debris.
- ② **High-back Seat** for more comfortable and easy operation.
- ③ **Open Platform** allows you to get on and off the unity easily.
- ④ **Ergonomically Positioned Levers** for comfort and easy operation.

**Note:** Photo shown does not include optional mechanical or hydraulic thumb.

# ADD THIS TO YOUR BUCKET LIST

**PRODUCT TIER KEY**

STANDARD

STANDARD PLUS

PROFESSIONAL

HEAVY-DUTY

EXTRA HEAVY-DUTY

	<b>BH65</b>	<b>BH75</b>	<b>BH85</b>	<b>BH100</b>
Product Tier	Heavy-Duty		Extra Heavy-Duty	
Tractor PTO (HP)	15 - 30	20 - 40	30 - 100	40 - 100
Digging Depth - 2' Flat Bottom (in   ft)	78   6.5	90   7.5	102   8.5	120   10
Digging Depth - 8' Flat Bottom (in)	52	70	82	102
Reach from Swing Pivot (in)	102	119	141	161
Loading Height   Reach (in)	60   33.5	73   46	83   61	100   70
Transport Height   Length (in)	66.5   42	74   45	94   55	104   55
Approx. Weight - frame only (lbs)	695	842	1,275	1,320
Swing Arc (degrees)	150	180		
Stabilizer Spread (in)	52 up (transport) / 83 down (operating)		76 up (transport) / 102 down (operating)	
Relief Pressure (psi)	2,030	2,465		
Bucket Digging Force (lbs)	2,800	3,380	4,600	
Dipperstick Digging Force (lbs)	1,590	2,230	2,490	2,720
Bucket Rotation (degrees)	180°			
Trenching Bucket Widths (in)	9, 12, 16	9, 12, 16, 18, 24	12, 15, 18, 24	
Thumb	Optional mechanical		Optional mechanical or hydraulic	
Flip-Over Stabilizer Pads	Standard			
Stabilizer Street Pads	Optional			
PTO Pump Kit	N/A	Optional		
Ditching Bucket	N/A		36	
Cemetery / Bellhole Bucket	N/A		36	
2-Cylinder Swing	N/A	Yes		



**SCAN THIS CODE**

See [woodsequipment.com](http://woodsequipment.com) for all models and complete product specifications.

**AVAILABLE COLORS**



Match the color of your attachment to your tractor. Some colors only available on select models.



Scan to find your nearest dealer.



**SCAN TO FIND  
YOUR NEAREST  
WOODS® DEALER**

**GET THE EQUIPMENT  
YOU NEED NOW!**



**SCAN TO LEARN  
ABOUT FINANCING  
OPTIONS**



# LANDSCAPE ATTACHMENTS



//////////////////// **KEEP MOVING**



Scan to find your nearest dealer.

# LANDSCAPE ATTACHMENTS

## TOP 3 ADVANTAGES

### 1 | EASY CONNECTION

Many of our landscape attachments are engineered **Quick-Hitch Ready** from the factory.

### 2 | DURABILITY

Built tough with added durability where it matters most.

### 3 | VERSATILITY

Engineered to move from backyard projects to commercial landscaping work.



## MATCH MY APPLICATION

### BOX SCRAPERS

Move large amount of dirt and gravel quickly.

### GRADING SCRAPERS

Ideal for leveling dirt and gravel in driveways, lawns, and fields.

### REAR BLADES

Move dirt, grade driveways, and clear snow.

### LANDSCAPE RAKES

Great for clean-up jobs and fine raking.

### POST HOLE DIGGERS

Power through tough soil conditions and projects, like planting trees and shrubs or installing deck or fence posts.

### STUMP GRINDERS

Reduce tree stumps to mulch and grind below ground level.



Scan to find your nearest dealer.

# BOX SCRAPERS

## EASY CONNECTION

- ① Engineered Quick-Hitch Ready from the factory. No additional hardware is required to use your quick hitch, so you can get in the field and get to work.



## DURABILITY

Easily carve into sod and dirt with full-length, high-strength double beveled cutting edges.

## VERSATILITY

A variety of widths – 48 to 84" – to match a variety of jobs.



PRODUCT TIER KEY

STANDARD

STANDARD PLUS

PROFESSIONAL

HEAVY-DUTY

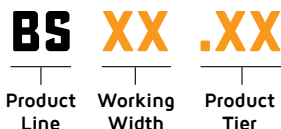
EXTRA HEAVY-DUTY

	<b>BSXX.20</b> 48   60   72	<b>BSXX.30</b> 60   72	<b>BSXX.40</b> 72   84
Product Tier	Standard	Standard plus	Professional
Tractor HP	20-35	25-45	40-65
Tractor Hitch	Limited CAT 1 / CAT 1	CAT 1	CAT 1 / CAT 2
Working Width (in)	48   60   72	60   72	72   84
Capacity (cubic ft)	7.3, 11.5, 13.9	15.6, 18.9	19.0, 22.3
Approximate Weight (lbs)	240, 400, 450	510, 551	660, 750
Scarifier Depth (in)	0, 1.5, 3	0, 1.5, 3	0, 1.5, 3
Number of Scarifiers	4, 5, 6	5, 6	6, 7
Tailgate Type	Fixed		Standard floating
Cutting Edges	2		
Scarifier Mount	Slot in tube	Heavy-Duty saddle	

## HOW TO CHOOSE THE RIGHT MODEL:

Simply choose the width and tier level to determine your model number.

Example: BS60.30



### SCAN THIS CODE

See [woodsequipment.com](http://woodsequipment.com) for all models and complete product specifications.

## ADDITIONAL FEATURES

- ② Reinforced Steel A-Frame Design for easy attachment and durability.
- ③ High-strength Moldboards for tackling rugged jobs.
- ④ Adjustable Scarifier Teeth with replaceable tips for durability and versatility.
- ⑤ High-Carbon Reversible/Replaceable Cutting Edges for versatility and a level finish.
- ⑥ ¼" Plate Welded Inside End Plates to increase life on professional models.



Scan to find your nearest dealer.

# GRADING SCRAPERS

## EASY CONNECTION

- ① Engineered Quick-Hitch Ready from the factory. No additional hardware is required to use your quick hitch, so you can get in the field and get to work.



## DURABILITY

Heavy-duty saddle scarifier mounting, approachable leading edges and structural reinforcements keep Woods scrapers stronger for longer.

## VERSATILITY

Available in a variety of widths and up to 16" box height.



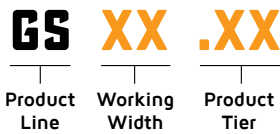
**PRODUCT TIER KEY**



	<b>GSXX.30</b> 54   60   72	<b>GSXX.40</b> 84   96
Product Tier	Standard Plus	Professional
Tractor HP	20-45	30-65
Hitch	Limited CAT 1 / CAT 1	CAT 1 / CAT 2
Working Width (in)	54   60   72	84   96
Overall Length (in)	42, 46	46
Box Height (in)	14, 16	16
Number of Scarifiers	4, 5	6
Weight (lbs)	430, 520, 600	750, 800
Cutting Edges	(2) .5 x 6	
Scarifier Depth	0, 1, 2.5	

## HOW TO CHOOSE THE RIGHT MODEL:

Simply choose the width and tier level to determine your model number.  
**Example: GS60.30**



**SCAN THIS CODE**

See [woodsequipment.com](http://woodsequipment.com) for all models and complete product specifications.



## ADDITIONAL FEATURES

- 2 Heavy-duty Mast Plate** creates more down force for a smoother surface – all but eliminating a “washboard” effect.
- 3 Adjustable Scarifier Teeth** with replaceable tips for durability and versatility.
- 4 Tall Side Frames** hold more material for leveling.
- 5 Reversible/Replaceable High-Carbon Cutting Edges** give you control to better match your application.
- 6 Adjustable Skid Shoes** allows operator to set the grade.



Scan to find your nearest dealer.

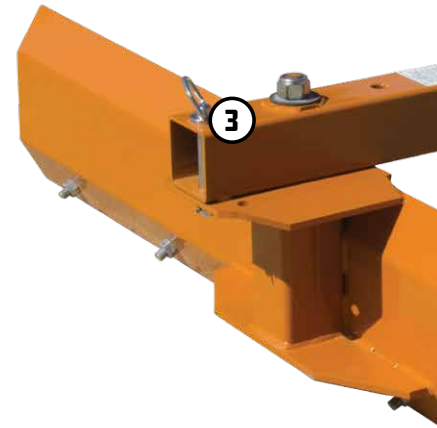
# REAR BLADES

## DURABILITY

- 1 Double-Beveled, Reversible, and Hardened Cutting Edges for added durability and longevity.

## VERSATILITY

Choose from models with manual or hydraulic angle, offset, and tilt adjustments to maneuver easily in the field.



## EASY CONNECTION

- 2 Parking stand featured on Heavy-Duty and Extra Heavy-Duty units for added convenience. Holds the unit upright and level to allow for an easier connection.

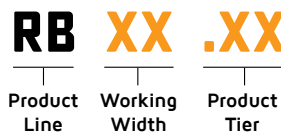
### PRODUCT TIER KEY

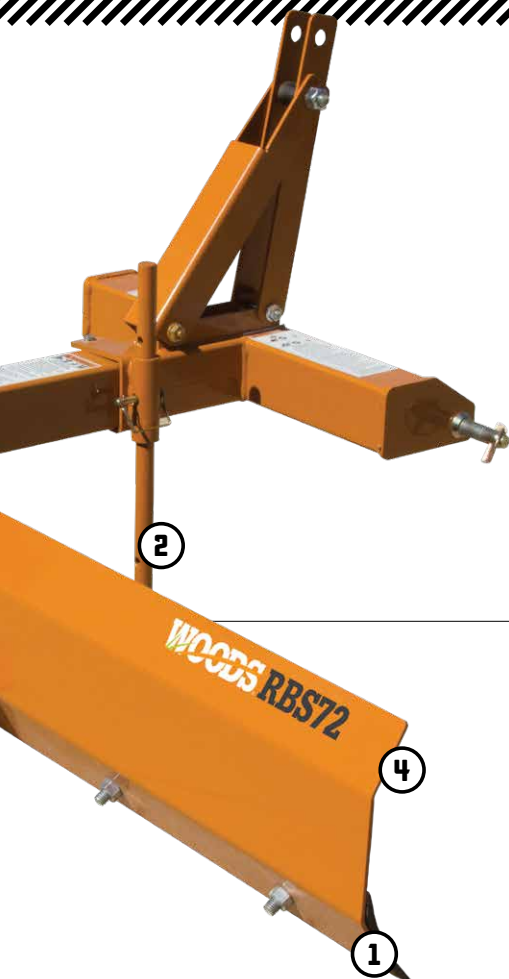


	<b>RBSXX</b> 54   60   72	<b>RBSXXP</b> 60   72   84	<b>RBXX.50</b> 72   84   96
Product Tier	Standard	Standard plus	Heavy-Duty
Tractor HP	Up to 30	20-45	30-65
Tractor Hitch	Limited CAT 1 / CAT 1	CAT 1	CAT 1 / CAT 2
Working Width (in)	54   60   72	60   72   84	72   84   96
Moldboard Height (in)	12	15	17
Approximate Weight (lbs)	134, 142, 156	268, 288, 308	455, 475, 495
Angle Adjustments (degrees)	5 Positions up to 30		7 Positions up to 45
Adjustment Types	Manual angle	Manual angle, offset, tilt	Manual angle, offset, tilt (Hydraulic angle kit available)
Offset Adjustments (in)	N/A	Up to 12 left or right	Up to 18 left or right
Tilt Adjustments (degrees)	N/A	Up to 15	Up to 23
Cutting Edge	.38 x 6	.50 x 6	

## HOW TO CHOOSE THE RIGHT MODEL:

Simply choose the width and tier level (if applicable) to determine your model number. **Example: RB84.60**





## ADDITIONAL FEATURES

- ③ **Formed Moldboard Made From High-Strength Steel** provides exceptional rigidity and pivots 360°.
- ④ **Optional End Plates and Skid Shoes** are available for all models for added durability.

**RBXX.60**

84 | 96

**RB850**

**RB1010**




Extra Heavy-Duty		
45-65	50-100	80-150
CAT 1 / CAT 2	CAT 2	CAT 2 / CAT 3
84   96	95	119
17.5	17	18
705, 730	1233	1535
Up to 45	Up to 60 forward, up to 30 reverse	Up to 60
Manual angle, offset, tilt or Manual offset, tilt with hydraulic angle or Hydraulic angle, offset, tilt	Manual angle, offset, tilt or Manual offset, tilt with hydraulic angle, or Hydraulic angle, offset, tilt	Manual offset, tilt with hydraulic angle or Hydraulic angle, offset, tilt
Up to 20 left or right	Up to 24 left or right	Up to 33 left or right
Up to 23	Up to 30	Up to 28

.50 x 6



**SCAN THIS CODE**  
See woodsequipment.com for all models and complete product specifications.

### AVAILABLE COLORS

   Match the color of your attachment to your tractor.



Scan to find your nearest dealer.

# LANDSCAPE RAKES

## EASY CONNECTION

- ① **Optional Parking Stand** is available for added convenience. Holds the unit upright and level to allow for an easier connection.

## DURABILITY

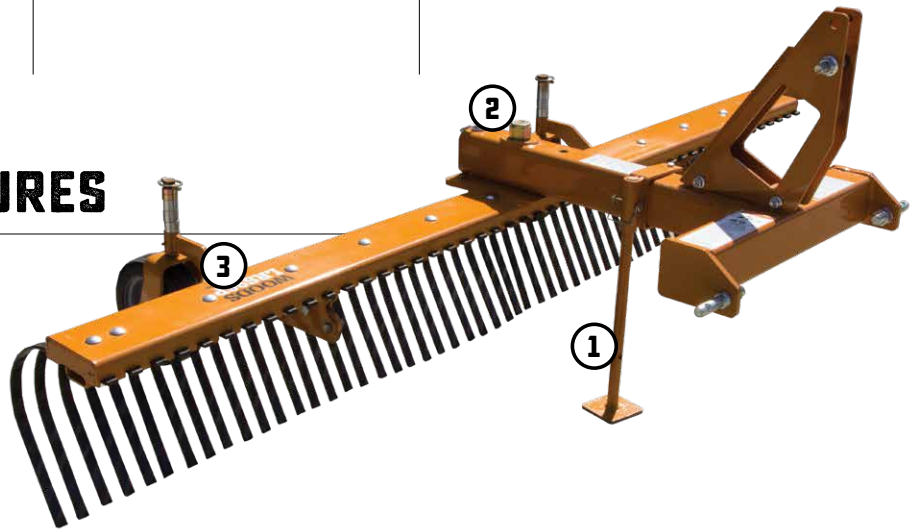
Large, structural tine beam channel holds alloy spring steel tines firmly.

## VERSATILITY

Fine raking features allow for light-duty lawn care to general maintenance projects.

## ADDITIONAL FEATURES

- ② **Heavy Pivot Components** for increased longevity.
- ③ **Optional Gauge Wheels** for better depth control.



### PRODUCT TIER KEY



	LRS52	LRS60	LRS72	LRS72P	LRS84P	LRS96P
Product Tier	Standard			Standard plus		
Tractor HP	Up to 30			20-45		
Tractor Hitch	Limited CAT 1 / CAT 1			CAT 1		
Working Width (in)	52	60	72	72	84	96
Approximate Weight (lbs)	156	168	186	264	288	311
Angle Adjustments (degrees)	5 Positions up to 30 (forward & reverse)					
Tine Dimensions (in)	5/16 x 1					
Tine Spacing (in)	1					
Gauge Wheels	Optional					



**SCAN THIS CODE**  
See [woodsequipment.com](http://woodsequipment.com) for all models and complete product specifications.

### AVAILABLE COLORS

Match the color of your attachment to your tractor.

# POST HOLE DIGGERS

## EASY CONNECTION

- 1 **Parking Stand** makes for easy tractor connection.

## DURABILITY

Rugged gearbox design engineered with tapered roller bearings to better withstand shock loads and backed by a **6-year gearbox warranty** including parts, labor, and seals.



## VERSATILITY

Select from a wide range of auger bits ensures the best tool for any application.



## ADDITIONAL FEATURES

- 2 **Driveline Holder** keeps driveline off the ground during storage.
- 3 **Positioning Handle** is standard for easy operation.

### PRODUCT TIER KEY



	PD25.21	PD35.31	PD95.51
Product Tier	Standard	Standard Plus	Professional
Tractor PTO (HP)	15 - 25	20 - 35	35 - 95
Tractor Hitch	Limited CAT 1 / CAT 1	CAT 1	CAT 1 / CAT 2
Approximate Weight without auger (lbs)	177	178	245
Drive Type	Gearbox		
Tractor PTO Speed (rpm)	540		
Driveline Protection	Shear bolt		
Positioning Handle	Standard		
Parking Stand	Standard		
Auger (Diameter x Length) (in.)	6, 9, 12 x 36	6, 9, 12 x 48	6, 9, 12, 18, 24 x 48
Auger Extension (in.)	Optional (12)		



**SCAN THIS CODE**  
See [woodsequipment.com](http://woodsequipment.com) for all models and complete product specifications.



Scan to find your nearest dealer.

# STUMP GRINDER

## PERFORMANCE

Twenty-four tough, carbide steel teeth cut bi-directionally for increased productivity. Easily and efficiently grind tree stumps to mulch.

## VERSATILITY

Grinds stumps 16" above and below ground level. Hinged debris shield allows for easier grinding below ground level.



**PRODUCT TIER KEY**



## TSG50

Product Tier	Standard Plus
Tractor PTO (HP)	15 - 50
Tractor Hitch	CAT 1 / CAT 2
Cutting Wheel Diameter (in)	20
Cutting Wheel Speed (rpm)	1,037
Cutter Tip Speed (fpm)	5,428
Hub Torque (lbs/ft)	76 - 253
Weight (lbs)	520
Max Stump Height (in)	16
Max Cutting Depth	16



**SCAN THIS CODE**

See [woodsequipment.com](http://woodsequipment.com) for all models and complete product specifications.

# **SNOW REMOVAL ATTACHMENTS**



**//////////////////// PUT SNOW IN ITS PLACE**



Scan to find your nearest dealer.



# SNOW REMOVAL ATTACHMENTS

## TOP 3 ADVANTAGES

---

### 1 | PROCESSES HEAVY SNOW

Woods snow blowers include shear bolt protection on the driveline to process heavy snow. The advanced-grade steel used in our loader front blades is stronger and more durable than standard steel.

---

### 2 | IMPACT RESISTANT

Features like heavy-duty reinforced house on our snow blowers and trip moldboard protection on our loader front blades protect from hard, potentially damaging impacts hidden beneath heavy snow.

### 3 | EASY CONNECTION

Woods snow blowers are Quick-Hitch Ready from the factory for easy tractor connection. Skid steer quick-attach mounting on our loader front blades allow operators to easily hook-up to the tractor.

**PUT SNOW IN ITS PLACE**

**SNOW REMOVAL ATTACHMENTS**



## MATCH MY APPLICATION

### SNOW BLOWERS

For more frequent commercial or estate heavy-duty snow removal projects. Clear long driveways, large parking lots, and more expansive rural properties.



### LOADER FRONT BLADES

Estate snow removal applications. Driveways, paths, rural properties. Ideal for smaller, less-frequent snow removal projects with compact or sub-compact tractors.



Scan to find your nearest dealer.

# SNOW BLOWERS

## LESS VIBRATION

Dynamically balanced auger and impeller for less vibration.

## PROCESSES HEAVY SNOW

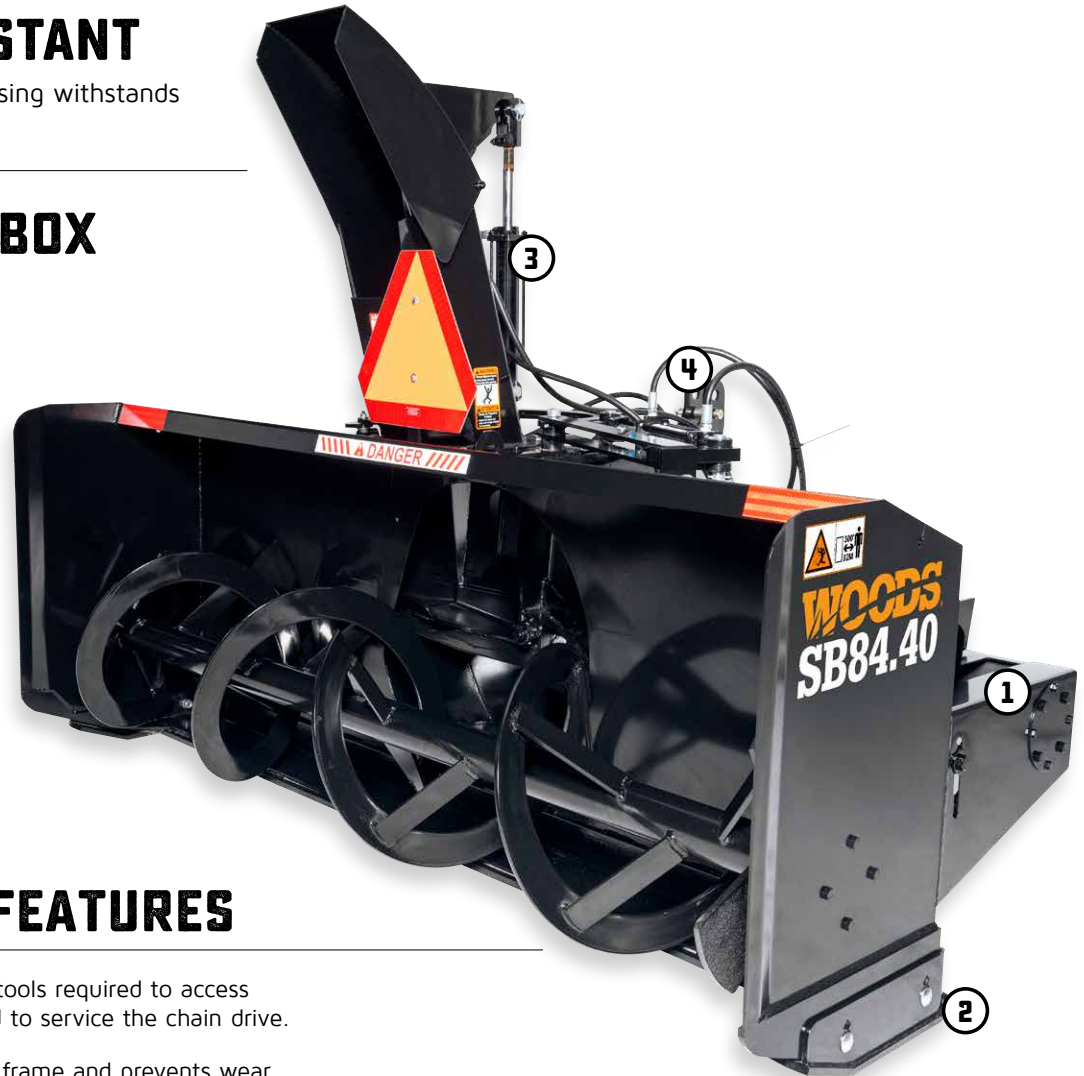
Shear bolt protection on driveline for processing heavy snow.

## IMPACT RESISTANT

Heavy-duty reinforced housing withstands hard impacts.

## 6-YEAR GEARBOX WARRANTY

Industry-leading gearbox protection includes parts, labor, and seals under the Woods Cut Above™ Warranty Program.



## ADDITIONAL FEATURES

- ① **Chain Drive Cover** No tools required to access bearing, shear bolt, and to service the chain drive.
- ② **Skid Shoe** protects the frame and prevents wear. Replaceable and adjustable for height.
- ③ **Standard Mechanical or Optional Hydraulic Chute Adjustments** adjust the position of the chute.
- ④ **Quick-Hitch Ready** from the factory making for easier tractor hook up.



# PUT SNOW IN ITS PLACE

## PRODUCT TIER KEY

STANDARD

STANDARD PLUS

PROFESSIONAL

HEAVY-DUTY

EXTRA HEAVY-DUTY

	<b>SB54.30</b>	<b>SB64.30</b>	<b>SB74.30</b>	<b>SB84.30</b>	<b>SB84.40</b>	<b>SB94.40</b>
Product Tier	Standard-Plus				Professional	
PTO Power Requirements (HP)	15 - 30	20 - 40	30 - 50		35-90	
Operating Weight, Including Chute & Hyd. Deflector (lbs)	465	540	640	700	1130	1182
Working Width (in)	53 1/2	63 1/2	74	84	84	94
Working Height (in)	25 1/4	27 1/2		34		
Overall Width (in)	54 3/4	64 3/4	75 1/4	85 1/4	85 1/2	95 1/2
Overall Length (in)	40 1/2	37 3/4	45 1/2		54	
Impeller Diameter (in)	22	24		27 1/2		
Impeller Width (in)	6	7	9		10 1/2	
Impeller (rpm)	540				540	
Main Auger Diameter (in)	15				20	
Auger driven system	Chain No.60				Chain No.60 H	
Auger (rpm)	170		200		170	
Chute Rotation	Manual or hydraulic				Hydraulic - cylinder (2"x8") including bracket, hoses, and tips	
Replaceable and Reversible	Yes				No	
Cutting Edge Dimension (in)	3/8 x 1 1/2				1/2 x 3	
Main Driving System	Driveline series 40		Driveline series 50		60	
Chain Idler	Yes				Yes	
Number of Auger Shear Bolt	1 (on the drive shaft)				1 (on the drive shaft)	
Number of Impeller Shear Bolt	1 (on the driveline)				1 (on the driveline)	
Type of Hitch	3 pts, CAT 1		3 pts, CAT 1 / CAT 2		CAT 2	
Parking Stand	Standard				Standard	



### SCAN THIS CODE

See [woodsequipment.com](http://woodsequipment.com) for all models and complete product specifications.



Scan to find your nearest dealer.

# LOADER FRONT BLADES

## IMPACT RESISTANT

- ① The trip moldboard protects the blade, loader, and tractor if the edge of the blade contacts an obstacle.

## PROCESSES HEAVY SNOW

Built with advanced-grade steel which is stronger and more durable than standard steel. This feature allows the blade to be lighter, so the tractor can lift and move more snow per square foot than heavier competitive attachments.

## EASY ADJUSTMENT

The lighter blade also makes for easy manual angle adjustments. Select from five adjustments for an overall 60° rotation. Optional hydraulic angle adjustment is also available.

## EASY CONNECTION

- ② Skid steer quick-attach mounting allows operators to easily hook-up to the tractor.



**PRODUCT TIER KEY**

STANDARD

STANDARD PLUS

PROFESSIONAL

HEAVY-DUTY

EXTRA HEAVY-DUTY

**LFB60.20**

**LFB72.20**

Product Tier	Standard	
PTO Power Requirements (HP)	Up to 35	
Coupler System	Skid Steer Quick-Attach*	
Maximum Tractor Weight (lbs)	2800	
Weight (lbs)	201	225
Moldboard Height (in)	21	
Moldboard Width (in)	59 1/4	71 1/4
Moldboard Thickness (in)	.105" (12 gauge)	
Moldboard Material	Grade 80 High-Strength Steel	
Moldboard	Standard Spring Loaded Trip can be locked in position	
Cutting Edge Dimensions (in)	.25 x 6	
Cutting Edge Reverseable and Replaceable	Yes	
Blade Angle	0°, 15° and 30° positions in either direction	
Blade Angle Adjustment	Standard Manual Blade Angle or Optional Hydraulic	
Skid Shoe	Standard Adjustable or Optional Urethane Kit	
Additional Options	Reversible Urethane Cutting Edge Plow Guide Kit, Rubber Deflector, Urethane Skid Shoe Kit, Hydraulic Angle Kit	

\* For compact and sub-compact tractors, not to be used with skid steers or track loaders.

## ADDITIONAL FEATURES

- 3 Rotating Skid Shoes Prevent Ground Gouging**  
Steel skid shoe helps protect the cutting edge and prevents damage to textured surfaces. Offered as standard adjustable or optional urethane.
- 4 Reversible/Replaceable Cutting Edges** Improves performance and extends working life of the attachment. Optional urethane cutting edge prevents damage to textured surfaces.
- 5 Optional Plow Guide Kit** offers a visual guide for the location of the blade's edge. Helps the operator prevent curb and wall strikes.
- 6 Optional Rubber Deflector** helps prevent snow from going over the top of the moldboard.
- 7 Optional Hydraulic Angle Kit** control the angle of the blade with the hydraulics of the tractor.



**SCAN THIS CODE**

See [woodsequipment.com](http://woodsequipment.com) for all models and complete product specifications.



Scan to find your nearest dealer.

# HAVE YOU TRIED MATCH MY TRACTOR?

Use Woods® Match My Tractor tool to find the **40HP and under** Woods products that are compatible with your tractor.

The screenshot shows the 'WOODS GET AFTER IT' website. The main heading reads: "Woods has over 50 attachments for 40HP and under tractors. To find the right attachment(s) for your tractor, follow the steps below." Below this is a form with the following fields: "Tractor Make" (dropdown), "Tractor Model" (dropdown), "Tractor Wheel Width (Optional)" (dropdown), and "Search Within Product Category (Optional)" (dropdown). A green "MATCH MY SELECTIONS" button is positioned below the form. Underneath the form is a "WOODS IS SOCIAL" section with icons for Facebook, Instagram, LinkedIn, and YouTube. The footer contains a grid of navigation links: PRODUCTS (Batwing® Cutters, Rigid Rotary Cutters, Finish Mowers, Seeders, Groundbreaker®, Backhoes, Tillage), PARTS & SUPPORT (Find Manuals, Where To Buy, Match My Tractor, Tech Tips), NEWS (News, Events), COMPANY (Our Story, Our Innovations, Government Programs, Woods Financing, Join Power Team), and social media icons for Facebook, Instagram, LinkedIn, and YouTube. There are also links for DEALER LOCATOR, DEALER LOGIN, and WOODS GEAR.



**SCAN THIS CODE TO GET STARTED**

# LOADER ATTACHMENTS



LOAD UP & ROLL OUT



Scan to find your nearest dealer.



# LOADER ATTACHMENTS

## TOP 3 ADVANTAGES

### 1 | VERSATILITY

Woods loader attachments offer a variety of optional features for increased versatility on the job.

### 2 | DURABILITY

Built with durable, high-strength steel to handle tough loading jobs.

### 3 | EASY OPERATION

Woods loader attachments offer a variety of standard and optional features for increased ease of operation.



## MATCH MY APPLICATION

### BALE SPEARS

Efficiently move and stack round and large square bales. Compatible with compact tractors.



### PALLET FORKS

Ideal for lifting and moving material with your loader. Choose from 2,200, 4,400, or 6,000 lb. fork capacities. Compatible with compact tractors.



Scan to find your nearest dealer.

# PALLET FORKS

## VERSATILITY

All Woods pallet forks come standard with a lifting clevis that has the same capacity as the forks for picking up loads with a lifting strap or chain.

## DURABILITY

Certified, forged steel fork tines for strength, durability, and long life.

## EASY OPERATION

Full-height frame with walk-through capability for easy access and optimum visibility.

## ADDITIONAL FEATURES

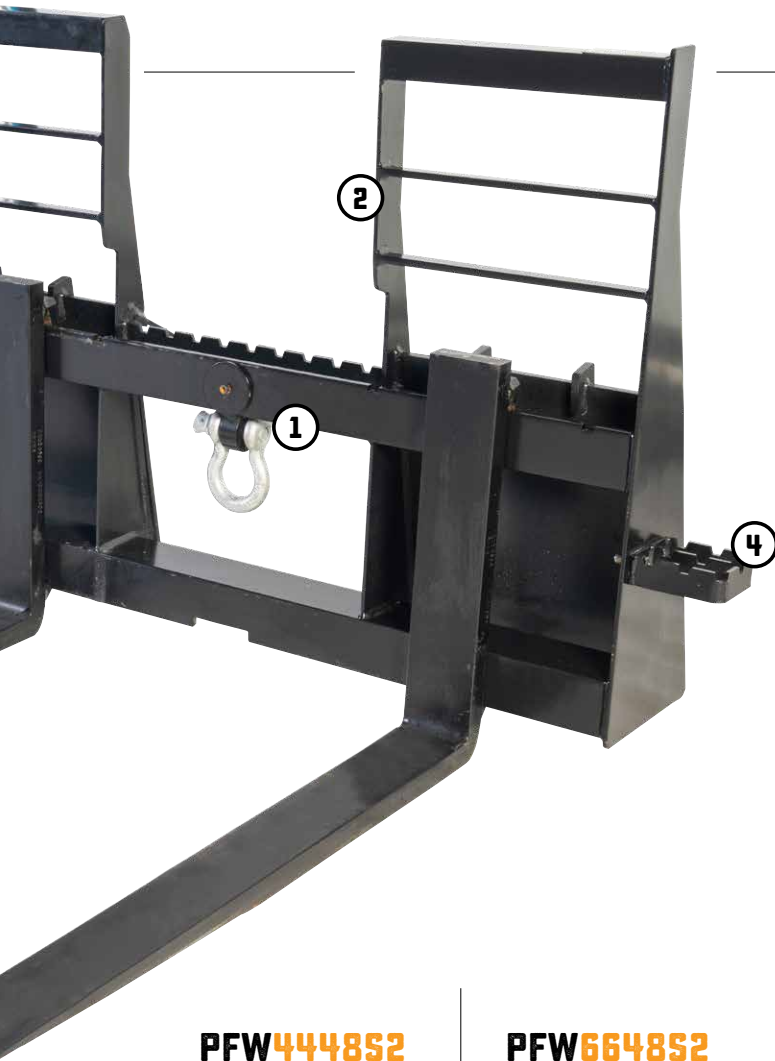
- ① **Lifting Clevis** for lifting from a single point on the frame. Lift capacity equals fork tine capacity.
- ② **Walk-Through Frame** offers easy access and optimum visibility.
- ③ **Forged Steel Fork Tines** for strength and long life.
- ④ **Optional Side Steps** for easily getting in to your skid steer.



### PRODUCT TIER KEY



	<b>PFW2242S2</b>	<b>PFW4442S2</b>	<b>PFW4448S2</b>
Product Tier	Standard Plus	Professional	
Frame Type	Walk through		Full Frame
Coupler System	Skid Steer		
Operating weight (lbs)	275	360	390
Fork Capacity at 19.7 inches from tine face (lbs)	2,200	4,400	
Fork Tine Dimensions	42 x 3.2 x 1.2	48 x 3.9 x 1.4	
Fork Tine Spread Range (in)	12-45 outside to outside		
Fork Tine Type	Double hook lock down (ISO Class 2A)		
Clevis	Standard		



**FULL FRAME MODEL AVAILABLE\***

\*PF4448S2

**PFW4448S2**

**PFW6648S2**

Professional	Heavy-Duty
Walk through	
Skid Steer	
380	470
4,400	6,600
48 x 3.9 x 1.4	48 x 3.9 x 1.8
12-45 outside to outside	
Double hook lock down (ISO Class 2A)	
Standard	



**SCAN THIS CODE**

See [woodsequipment.com](http://woodsequipment.com) for all models and complete product specifications.

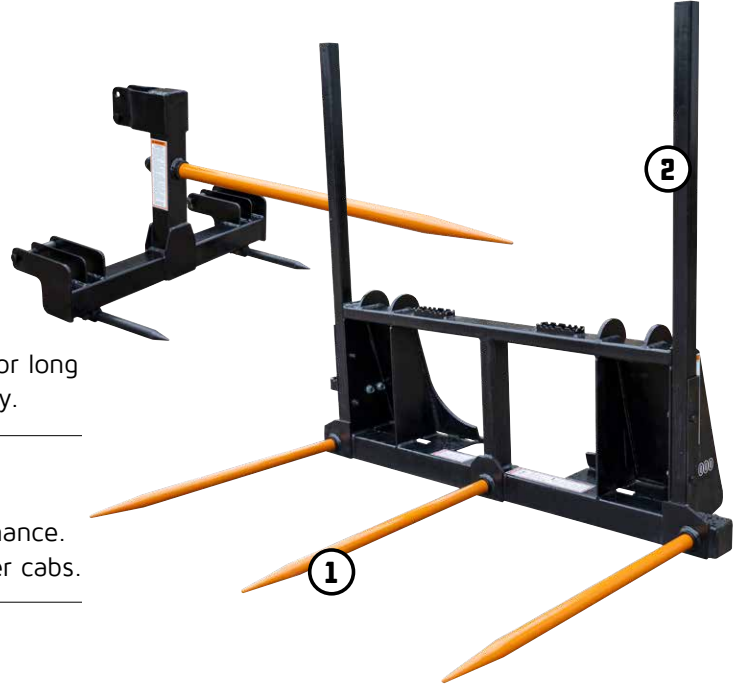


Scan to find your nearest dealer.

# BALE SPEARS

## VERSATILITY

- ① Single, Double, and Triple Bale Spears available to match your ideal application.
- ② Vertical Backstops on the triple spear allow for stacking while transporting.



## DURABILITY

Durable spears and high-strength steel frame for long life. Load tested at 3x the rated weight capacity.

## EASY OPERATION

High carry load ratings increase overall performance. Optional step kit enables easier access to loader cabs.

## BETTER VISIBILITY

Woods® orange spear makes it easier for the operator to see.

### PRODUCT TIER KEY



	MBS3044	BS3044S2	BS4032S2	BS4044S2	BS6044S2
Product Tier	Standard	Standard	Professional	Professional	Heavy-Duty
Number of Spears	1	1	3		2
Number of Stabilizer Spikes	2	2	N/A		
Usable Spear Length (in)	44	44	32	44	
Spear Diameter (mm)	50	50	36		50
Maximum Carry Load (lbs)	3,000	3,000	4,000		6,000
Spear Material	Heat-treated round bar				
Frame Material	Welded steel plate				
Frame Dimensions (in) (W x H)	38.5 x 26.8	46.9 x 23.1	57.3 x 21.3		47.1 x 23.3
Quick Attach Systems	Quick Hitch Ready CAT 1 3-Point Hitch		Skid Steer		
Step Kit	N/A	N/A	Optional		
Vertical Backstops	N/A	N/A	2		N/A



### SCAN THIS CODE

See woodsequiment.com for all models and complete product specifications.



# PARTS PROVEN TO LIVE UP TO THE HIGHEST STANDARDS... OURS.

Woods OEM parts are the only parts that have been proven to pass our rigorous testing and meet our demanding standards for strength, wear, and performance.



BLADES | BELTS | BUSHINGS | CHAINS & HOOKS | HARDWARE | IDLERS | WHEELS | TIRES | AND MORE!

**WE ENGINEER OUR PARTS FOR QUALITY AND A PROPER FIT TO GIVE  
YOUR WOODS ATTACHMENT THE LONGEST POSSIBLE LIFESPAN.**



Scan to find your nearest dealer.

WOODS® Product Guide



**WOODS®** | Woods Equipment Company  
2606 South Illinois Route 2, Oregon, Illinois 61061 tel 800-319-6637 [woodsequipment.com](http://woodsequipment.com)  
Patent info at: [woodsequipment.com/Our-Story](http://woodsequipment.com/Our-Story)



Warning! Some images may show safety shields removed to provide a better view. Equipment should never be operated with any safety shield removed. Some machines in this brochure may be shown with optional equipment. Always operate machines in accordance with supplied operator's manuals. ©2026 Woods Equipment Company. All rights reserved. WOODS and Woods logo are trademarks of Woods Equipment Company. All other trademarks, trade names, or service marks not owned by Woods Equipment Company that appear in this brochure are the property of their respective companies or mark holders. Specifications subject to change without notice.